

Crosstrek | 2025



Love is out there.® Find it in the Crosstrek.



It's about everything that lies between points A and B.

Meet the Subaru Crosstrek.

There are miles to go before you reach that campsite you booked months ago, but in your 2025 Crosstrek, the adventure can always start right here on the road. You have up to 500 miles on a single tank¹ and all sorts of possible destinations along the way. Once you arrive and take in the view, you might even consider a point C.



Capable

Beyond the roads that are smooth and flat, the Crosstrek proves itself with standard Subaru Symmetrical All-Wheel Drive and 8.7 inches of ground clearance. If the terrain gets steep and slippery, available dual-function X-MODE[®] provides the traction and confidence you need to push on.²



Durable

Every Subaru is built to last. In fact, 96% of Subaru Crosstrek vehicles sold in the last 10 years are still on the road today, more than any other vehicle in its class.³ That's thanks in part to the SUBARU BOXER[®] engine. Its horizontal design means less wear and tear—and it's at the core of every Crosstrek. There's also an engine option with more power to push your adventures farther.²



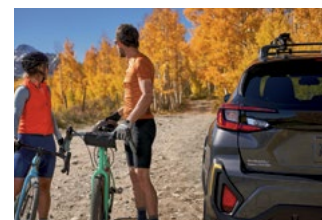
Connected

Providing you with simple, seamless access to your music and apps, the Subaru Multimedia System includes standard Apple CarPlay[®] and Android Auto[™] integration. Wireless connectivity and charging are also available,² plus you can opt for a large 11.6-inch touchscreen² and Remote Engine Start with Climate Control, which lets you set the perfect temperature even before you step in.^{2,4}



Safe

To help protect you and your passengers, the Crosstrek is equipped with our latest EyeSight[®] Driver Assist Technology, featuring three cameras for enhanced detection and intervention performance.⁵ For even greater peace of mind, you can opt for a number of all-around safety systems, including Blind-Spot Detection,^{2,6} Reverse Automatic Braking^{2,7} and MySubaru[®] Safety and Security services.^{2,8}



¹ EPA-estimated fuel economy for 2025 Crosstrek Premium, Sport and Limited trims with Lineartronic[®] CVT at 33 highway MPG and a 16.6-gallon fuel tank. Actual mileage may vary. ² Availability varies by trim level. See your Subaru retailer for details. ³ Based on Experian Automotive vehicles in operation vs. total new registrations for MY2014-2023 as of December 2023. ⁴ Requires Keyless Access with Push-Button Start and subscription to MySubaru Safety and Security services. 6-month free trial included. Not available in all states. See your Subaru retailer for details. ⁵ EyeSight is a driver assist technology, which may not operate optimally under all driving conditions. The driver is always responsible for safe and attentive driving. System effectiveness depends on many factors such as vehicle maintenance, weather and road conditions. See your Owner's Manual for complete details on system operations and limitations. ⁶ Blind-Spot Detection, Lane Change Assist and Rear Cross-Traffic Alert are systems designed to assist the driver by monitoring the rear and side areas of the vehicle during a lane change or reversing and are not a substitute for safe and attentive driving. ⁷ The Reverse Automatic Braking System is not a substitute for safe and attentive driving. System effectiveness depends on many factors, such as vehicle maintenance, weather and road conditions. Always exercise caution and use vehicle mirrors and the Rear-Vision Camera when backing up. See your Owner's Manual for complete details on system operations and limitations. ⁸ Activation with subscription required. Includes a three-year trial subscription to Safety services and a six-month trial subscription to Safety and Security services. The Concierge plan can be purchased annually or monthly. A credit card on file will be required for specific packages and for renewal purposes. Features and availability vary by model and trim level. May not be available in all states. Please contact your local authorized Subaru retailer for more information.

Crosstrek Sport in Magnetite Gray Metallic with optional equipment.



Miles of good
road ahead.

When conditions get slippery, steep or bumpy, there's no need to reroute. You're in the Crosstrek, which means you have standard Subaru Symmetrical All-Wheel Drive and 8.7 inches of ground clearance—more than the Jeep Compass Trailhawk.¹ Opt for the Crosstrek Wilderness, and you'll get an even more impressive 9.3 inches of ground clearance. Facing hilly or challenging terrain? X-MODE with Hill Descent Control delivers enhanced traction and reassurance. And with up to 34 MPG²—better all-wheel-drive highway fuel economy than the Honda HR-V or Toyota Corolla Cross³—you can forge ahead with confidence.

¹ Comparison based on information from manufacturer website for 2024 Jeep Compass and is accurate at time of printing. ² EPA-estimated fuel economy for 2025 Crosstrek at 34 highway MPG and Crosstrek Premium, Sport and Limited trims at 33 highway MPG. Actual mileage may vary. See your Subaru retailer for details. ³ Comparison based on competitor information from manufacturer websites for 2025 non-hybrid, all-wheel drive vehicles within the IHS Markit sub-compact CUV segment and current at time of printing.

Crosstrek Limited in Sapphire Blue Pearl with optional and accessory equipment.



A drive on the wild side.

The 2025 Crosstrek Wilderness

Steep, slippery, rocky—it's all waiting to be explored in the Crosstrek Wilderness. To take on just about anything, this Crosstrek has 9.3 inches of ground clearance and Yokohama® GEOLANDAR® All-Terrain tires, and it's engineered for off-road adventure with increased approach, departure and breakover angles. Its optimized final drive ratio improves torque delivery and acceleration, while its ability to tow up to 3,500 pounds¹ means you can BYO base camp wherever you go.

¹ Trailer brakes may be needed. Some safety features, including X-MODE, Blind-Spot Detection and Rear Cross-Traffic Alert, may not function properly when towing. See your Subaru retailer for details.

Crosstrek Wilderness in Crystal White Pearl with optional and accessory equipment.

Goodbye, ordinary roads.

From tucked-away trails to backcountry adventures, the Crosstrek Wilderness is made to get you out there. Its styling details function as extra protection from tough terrain and weather: uniquely designed bumpers and extended lower cladding shield from rocks and debris, and the matte hood decal reduces glare on bright days. Bring on the dirty hiking boots, paws and gear because inside, the StarTex® water-repellant upholstery and the all-weather floor mats and cargo tray hold up against dirt and are easy to clean.



StarTex upholstery



9.3 inches of ground clearance



Advanced dual-function X-MODE



Bring it. **All of it.**

Gear-friendly and Versatile

There's the gear you need, and there's the gear you might need. With up to 54.7 cubic feet¹ of cargo room in the Crosstrek, you don't have to make that distinction. Its wide rear gate opening, large nonslip sill steps embossed with mountain-themed grip surfaces and convenient cargo-area tray² help simplify the loading process. And thanks to standard roof cargo-carrying capability and a 60/40 split-folding rear seatback, you can even bring gear that you probably won't need.



You found your perfect fit.

Spacious and Comfortable

Though it can squeeze into tight parking spots, the Crosstrek is noticeably roomy—with up to 100.5 cubic feet of passenger space.¹ Enter easily through its wide door openings and sink into its supportive seats—outfitted with durable cloth, leather or water-repellent StarTex to keep you comfortable and refreshed. As you dial in the dual-zone climate control and adjust the available 10-way power-adjustable driver's seat to your liking,² you may realize you're actually looking forward to the long drive ahead.

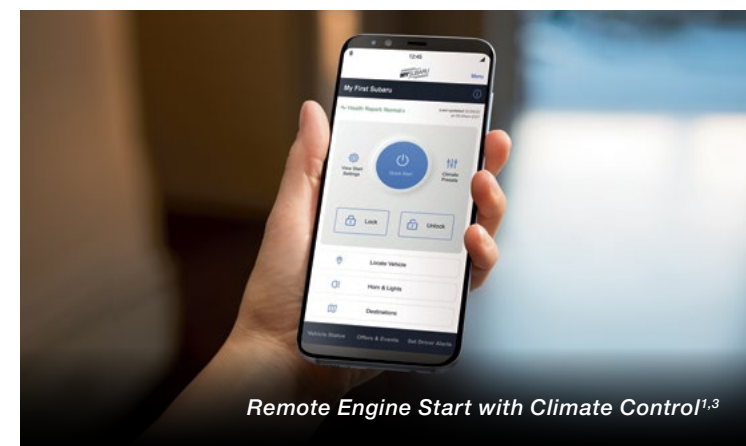
¹ Without available power moonroof. 99.0 cubic feet with moonroof. See your Subaru retailer for details. ² Availability varies by trim level. See your Subaru retailer for details.



Make a connection.



Wireless phone charging^{1,2}



Remote Engine Start with Climate Control^{1,3}

In the loop, even when you're off the grid.

Wherever you're headed, you're always connected in the Crosstrek. The Subaru Multimedia System comes standard with Apple CarPlay[®] and Android Auto[™] integration, plus you can opt for available wireless connectivity¹ and Qi[®] wireless smartphone charging^{1,2} to keep your cockpit cable-free. Other available features include a large 11.6-inch touchscreen¹ and a Harman Kardon[®] premium audio system with 10 speakers,¹ so you can listen to your playlists as they were intended. Thanks to the convenience of Remote Engine Start with Climate Control, you can even use your phone to set the perfect temperature even before you step in.^{1,3}

¹ Availability varies by trim level. See your Subaru retailer for details. ² Qi[®] wireless charging may not be compatible with all mobile devices. When using the wireless charging system, avoid placing metal objects between the wireless charger and the mobile device when charging is active. Doing so may cause metal objects to become hot and could cause burns. ³ Requires Keyless Access with Push-Button Start and subscription to MySubaru Safety and Security services. 6-month free trial included. Prototype screen shown for demonstration purposes only. Not available in all states. See your Subaru retailer for details.



An extra set of eyes every time you drive.

Every Crosstrek includes the latest Subaru EyeSight Driver Assist Technology,¹ which includes a third wide-angle camera to better detect pedestrians and bicycles, an electronic brake booster to heighten responsiveness and Automatic Emergency Steering.² Equipped with a comprehensive suite of innovative safety features, EyeSight looks ahead, alerts you to potential dangers and can even intervene to help you avoid a collision.



Crosstrek Limited in Sapphire Blue Pearl with optional equipment.



Automatic Emergency Steering²

Can help you avoid a collision by providing automatic steering and pre-collision braking support if it determines there's enough space to intervene.



Pre-Collision Braking

Can help slow and bring your Crosstrek to a full stop if necessary.



Advanced Adaptive Cruise Control with Lane Centering

Automatically helps keep you centered in your lane, at a safe distance behind the car in front of you—even in traffic and around curves.



Pre-Collision Throttle Management

Can reduce engine power to help give you more time to react and to help minimize possible impact force in case of a collision.



Lane Departure and Sway Warning with Lane Departure Prevention

If you accidentally begin to drift to the edge of your lane, EyeSight can alert you with visible and audible warnings before you cross over the lane markers. And when activated, Lane Departure Prevention can even help steer you back into your lane.

¹ EyeSight is a driver assist technology, which may not operate optimally under all driving conditions. The driver is always responsible for safe and attentive driving. System effectiveness depends on many factors such as vehicle maintenance, weather and road conditions. See your Owner's Manual for complete details on system operations and limitations. ² Automatic Emergency Steering requires Blind-Spot Detection. Availability varies by trim level. See your Subaru retailer for details.

Your peace of mind is our strong suit.

Safety is more than a duty for us—it's a passion. That's why every Crosstrek is built on the strength of the Subaru Global Platform, providing a rigid body structure for high crash-energy absorption. And every Crosstrek comes with 8 airbags, including a front-passenger seat cushion airbag.¹ To enhance all-around awareness and visibility, other standard features include a Rear-Vision Camera and LED Steering Responsive Headlights with High Beam Assist. A number of other active safety systems are also available, so you can have even more peace of mind as you get out there.



Crosstrek Premium in Offshore Blue Metallic with optional and accessory equipment.



Blind-Spot Detection

Using radar sensors, Blind-Spot Detection warns you with a visual indicator on your exterior mirror if it senses a vehicle in your blind spot. Another feature of this system, Lane Change Assist, alerts you with a flashing indicator on your exterior mirror if it senses a vehicle approaching at a higher speed in a neighboring lane and you signal for a lane change.^{2,3}



Rear Cross-Traffic Alert

Rear Cross-Traffic Alert uses radar sensors to help warn you of traffic approaching from the side as you are backing up, utilizing a flashing visual indicator on your exterior mirror and Rear-Vision Camera display, as well as an audible warning.^{2,3}



Reverse Automatic Braking

Reverse Automatic Braking can detect objects directly behind your vehicle when backing up at a low speed and can help bring the Crosstrek to a stop if it detects an object within its range and the brakes have yet to be applied. There's also the Rear-Vision Camera to help you keep an eye out.^{2,4}



MySubaru Safety and Security

The Crosstrek features MySubaru Safety and Security^{2,5} connected services, which can alert a first responder in an emergency, help police locate your vehicle if it's stolen and more. To get you started, new Crosstrek drivers enjoy a free three-year MySubaru Safety trial, which includes Advanced Automatic Collision Notification, Enhanced Roadside Assistance, SOS Emergency Assistance and more.

¹ Always wear seatbelts. Children should be properly restrained in the rear seat. ² Availability varies by trim level. See your Subaru retailer for details. ³ Blind-Spot Detection, Lane Change Assist and Rear Cross-Traffic Alert are systems designed to assist the driver by monitoring the rear and side areas of the vehicle during a lane change or reversing and are not a substitute for safe and attentive driving. ⁴ The Reverse Automatic Braking System is not a substitute for safe and attentive driving. System effectiveness depends on many factors, such as vehicle maintenance, weather and road conditions. Always exercise caution and use vehicle mirrors and the Rear-Vision Camera when backing up. See your Owner's Manual for complete details on system operations and limitations. ⁵ Activation with subscription required. Includes a three-year trial subscription to Safety services and a six-month trial subscription to Safety and Security services. The Concierge plan can be purchased annually or monthly. A credit card on file will be required for specific packages and for renewal purposes. Features and availability vary by model and trim level. May not be available in all states. Please contact your local authorized Subaru retailer for more information.

2025 Crosstrek | Trim Levels



Crosstrek

- 152-hp 2.0-liter 4-cylinder SUBARU BOXER engine with direct injection
- Subaru Symmetrical All-Wheel Drive with Active Torque Vectoring
- Lineartronic CVT (Continuously Variable Transmission) with Incline Start Assist and low mode
- X-MODE featuring Hill Descent Control
- SI-DRIVE[®] Engine Performance Management System
- Auto Start-Stop System
- Auto-on/off LED Steering Responsive Headlights with High Beam Assist
- 17-inch alloy wheels. Dark gray finish.
- Roof cross bar mounting points
- Privacy glass
- Cloth upholstery
- Carbon-fiber patterned interior accent trim
- 6-way manually adjustable driver's seat and 4-way manually adjustable front-passenger's seat
- Subaru Dual 7.0-inch Multimedia System with Apple CarPlay[®] and Android Auto[™] integration, SiriusXM¹ 4-month trial subscription, illuminated USB-A input port, Bluetooth[®] and 4 speakers
- Dual-zone automatic climate control system with dynamic ventilation and air filtration
- Driver and front-passenger auto-up/down power windows
- 4 cargo area tie-down hooks and 2 grocery bag hooks
- EyeSight Driver Assist Technology²: Pre-Collision Braking System, Pre-Collision Throttle Management, Lane Departure and Sway Warning with Lane Departure Prevention, Advanced Adaptive Cruise Control with Lane Centering
- 8 airbags (SRS)³: dual-stage deployment driver and front-passenger, driver's knee, front-passenger seat cushion, front and rear outboard occupant side curtain with rollover sensor and seat-mounted front side impact
- Whiplash-reducing front seats with height-adjustable head restraints
- Pretensioner and force limiter equipped height-adjustable 3-point front seatbelts and 3-point seatbelts for all rear seating positions
- Front/rear passenger seatbelt warning light/chime, rear-seat reminder and child-safety rear door locks
- LATCH system: Lower Anchors and Tethers for CHildren
- Rear-Vision Camera

Crosstrek Premium

Includes Crosstrek key features and adds:

- 182-hp 2.5-liter 4-cylinder SUBARU BOXER engine with direct injection
- Dual-Mode X-MODE with Snow/Dirt and Deep Snow/Mud modes
- LED fog lights
- Raised roof rails
- 17-inch aluminum-alloy wheels. Dark gray with machine finish.
- Dark gray finish exterior mirrors with integrated turn signals
- Keyless Access with Push-Button Start
- Steering wheel with integrated manual-mode paddle shifters
- Rear-seat center armrest with integrated cup holders
- Subaru 11.6-inch Multimedia Plus System with wireless Apple CarPlay[®] and Android Auto[™] integration, SiriusXM¹ with 360L 4-month trial subscription, illuminated USB-A and USB-C input ports, Bluetooth[®] and 6 speakers
- 4G LTE Wi-Fi capability⁴
- Single USB-A and USB-C rear-seat charge ports with illumination
- White illuminated gauge rings
- Cargo-area tray
- MySubaru Safety and Security enabled⁵: Includes features and services such as Advanced Automatic Collision Notification, SOS Emergency Assistance, Enhanced Roadside Assistance, Maintenance Notifications, Vehicle Health Reports, Diagnostic Alerts, Remote Engine Start with Climate Control, Remote Lock/Unlock, Concierge Services and more

Optional Package

- Option Package (OP 14): • Power moonroof
- 10-way power driver's seat
 - All-Weather Package: heated exterior mirrors, dual-mode heated front seats and windshield wiper de-icer
 - Blind-Spot Detection with Rear Cross-Traffic Alert⁶
 - Automatic Emergency Steering²

Crosstrek Sport

Includes Crosstrek Premium key features and adds:

- High-grade LED Steering Responsive Headlights with High Beam Assist
- 18-inch alloy wheels. Dark gray finish.
- Crystal Black Silica exterior mirrors with integrated turn signals
- Yellow exterior accents on front bumper, rear bumper and doors
- Crystal Black Silica grille accents, roof spoiler and rear gate trim panel
- Sport badging on front doors and rear gate
- Sport cloth upholstery with yellow accents and stitching
- Leather-wrapped steering wheel with yellow stitching
- Shifter handle with leather boot, yellow stitching and gloss black trim
- Yellow illuminated gauge rings
- Aluminum-alloy pedal covers
- Qi[®] wireless smartphone charging pad⁷
- All-Weather Package: Heated exterior mirrors, dual-mode heated front seats and windshield wiper de-icer
- Retractable cargo-area cover

Optional Package

- Option Package (OP 22): • Power moonroof • 10-way power driver's seat • Blind-Spot Detection with Rear Cross-Traffic Alert⁶ • Automatic Emergency Steering²

Crosstrek Limited

Includes Crosstrek Premium key features and adds:

- High-grade LED Steering Responsive Headlights with High Beam Assist
- 18-inch alloy wheels. Dark gray with machine finish.
- Dark gray exterior accents on front bumper, rear bumper and doors
- 10-way power adjustable driver's seat
- Leather-trimmed upholstery with orange stitching
- Leather-wrapped steering wheel with orange stitching
- Shifter handle with leather boot, orange stitching and gloss black trim
- Qi[®] wireless smartphone charging pad⁷
- All-Weather Package: Heated exterior mirrors, dual-mode heated front seats and windshield wiper de-icer
- Retractable cargo-area cover
- EyeSight Driver Assist Technology with Automatic Emergency Steering²
- Blind-Spot Detection with Lane Change Assist and Rear Cross-Traffic Alert⁶
- Reverse Automatic Braking⁸

Optional Packages

- Option Package (OP 32): • Power moonroof • Harman Kardon[®] premium audio system with 10 speakers

- Option Package (OP 33): • Power moonroof • Harman Kardon[®] premium audio system with 10 speakers • Subaru 11.6-inch Multimedia System with Navigation

Crosstrek Wilderness

Includes Crosstrek Premium key features and adds:

- Advanced Dual-Mode X-MODE with Snow/Dirt and Deep Snow/Mud modes and low-speed/low-ratio gradient control
- High-grade LED Steering Responsive Headlights with High Beam Assist
- Black-finish exterior mirrors with integrated turn signals
- 9.3 inches of ground clearance
- 3,500-lb. towing capacity⁹
- 4 tow points with Anodized Copper-finish covers
- 17-inch aluminum-alloy wheels with matte black finish and Yokohama[®] GEOLANDAR[®] All-Terrain tires
- Hexagonal LED fog lights
- Crosstrek Wilderness-design front and rear bumper covers, fender flares, side cladding and front grille
- Matte-black, anti-glare hood decal
- Raised roof rails with Anodized Copper-finish accents
- Subaru Wilderness badging on front doors and rear gate
- Black badging
- Crosstrek Wilderness StarTex water-repellent upholstery with Anodized Copper-finish accents and contrast stitching
- Crosstrek Wilderness-design all-weather floor mats and cargo-area tray
- Crosstrek Wilderness gauges with Anodized Copper-color gauge ring illumination
- Leather-wrapped steering wheel with Anodized Copper stitching
- Shifter handle with leather boot, Anodized Copper stitching and gloss black trim
- Qi[®] wireless smartphone charging pad⁷
- All-Weather Package: heated exterior mirrors, dual-mode heated front seats and windshield wiper de-icer
- LED rear gate light
- EyeSight Driver Assist Technology with Automatic Emergency Steering²
- Blind-Spot Detection with Lane Change Assist and Rear Cross-Traffic Alert⁶
- Reverse Automatic Braking⁸

Optional Package

- Option Package (OP 23): • Power moonroof • 10-way power driver's seat • Harman Kardon[®] premium audio system with 10 speakers



Information current at time of printing.

Visit subaru.com for the most up-to-date product information.

2025 Crosstrek | Specifications

Engine and Drivetrain		Crosstrek	Crosstrek Premium	Crosstrek Sport	Crosstrek Limited	Crosstrek Wilderness
Engine Power Torque	2.0-liter DOHC direct injection aluminum-alloy 16-valve 4-cylinder horizontally opposed SUBARU BOXER engine with Dual Active Valve Control System (DAVCS). 152 hp @ 6,000 rpm 145 lb-ft @ 4,000 rpm	●	—	—	—	—
	2.5-liter DOHC direct injection aluminum-alloy 16-valve 4-cylinder horizontally opposed SUBARU BOXER engine with Dual Active Valve Control System (DAVCS). 182 hp @ 5,800 rpm 178 lb-ft @ 3,700 rpm	—	●	●	●	●
Traction and Stability						
X-MODE	X-MODE optimizes engine output and transmission ratio, increases all-wheel drive system engagement and uses enhanced control of the Vehicle Dynamics Control system to reduce or increase individual wheelspin, providing optimal traction on various types of terrain and low-friction surfaces. Crosstrek: Standard. Single-Mode System. Crosstrek Premium, Crosstrek Sport and Crosstrek Limited: Standard. Dual-Mode System with Snow/Dirt and Deep Snow/Mud modes. Crosstrek Wilderness: Advanced Dual-Mode System with Snow/Dirt and Deep Snow/Mud modes and low-speed/low-ratio gradient control	●	●	●	●	●
Hill Descent Control (HDC)	X-MODE also incorporates Hill Descent Control, which helps to maintain a constant vehicle speed when traveling downhill, enhancing vehicle control.	●	●	●	●	●
Active Torque Vectoring	Active Torque Vectoring works in tandem with the Vehicle Dynamics Control system by applying braking power to the inside wheels, resulting in better handling, sharper turn-in, more neutral steering and higher cornering limits when turning.	●	●	●	●	●

2025 Crosstrek | Specifications

Traction and Stability (continued)		Crosstrek	Crosstrek Premium	Crosstrek Sport	Crosstrek Limited	Crosstrek Wilderness
Auto Vehicle Hold (AVH)	AVH helps to reduce driver fatigue by holding the vehicle in place when the vehicle is stopped, after the brake pedal has been released. Utilizing the Vehicle Dynamics Control system and the Electronic Parking Brake, AVH can hold the vehicle stationary on level, decline or incline surfaces.	●	●	●	●	●
Fuel						
Fuel Economy	city/highway/combined ¹⁰	27/34/29 mpg	27/33/29 mpg	27/33/29 mpg	27/33/29 mpg	25/29/27 mpg
Fuel Requirement	Unleaded gasoline (87 octane)	●	●	●	●	●
Fuel Capacity	16.6 gallons	●	●	●	●	●
Chassis						
Steering	Electric power-assisted quick-ratio rack-and-pinion steering (EPAS). Turning Circle: 35.4 feet (Crosstrek Wilderness: 34.8 feet)	●	●	●	●	●
Suspension	Front: Strut-type with lower L-arm. Stabilizer bar. Rear: Double wishbone. Stabilizer bar.	●	●	●	●	●
Brakes	4-wheel ventilated disc ABS with Electronic Brake-force Distribution (EBD)	●	●	●	●	●
Brake Override System	If both brake and accelerator pedals are pressed simultaneously, the system reduces the operation of the accelerator pedal to help prevent unintentional vehicle acceleration.	●	●	●	●	●

● Standard — Not equipped

Visit [subaru.com](https://www.subaru.com) for the most up-to-date product information.



Subaru is rated #1 in safety for five years in a row.¹¹



The Subaru Crosstrek has the Best Resale Value in its class for six years running, according to Kelley Blue Book's KBB.com.¹²



The Subaru Crosstrek was named a Best New Car of 2024 from Autotrader.¹³



Subaru has the longest lasting vehicles, longer than Toyota or Honda brands.¹⁴

2025 Crosstrek | Equipment

Exterior	Crosstrek	Crosstrek Premium	Crosstrek Sport	Crosstrek Limited	Crosstrek Wilderness
LED fog lights (Crosstrek Wilderness: hexagonal style)	☐	●	●	●	●
Exterior mirrors with integrated turn signals	—	●	●	●	●
Heated exterior mirrors and windshield wiper de-icer (All-Weather Package)	—	○ ¹⁵	●	●	●
Raised roof rails	—	●	●	●	●
Power tilt/sliding glass moonroof (95% UV light-reducing) ^{15,16}	—	○	○	○	○
Seating and Trim					
6-way manually adjustable driver's seat	●	●	●	—	●
10-way power-adjustable driver's seat	—	○ ¹⁵	○ ¹⁵	●	○ ¹⁵
4-way manually adjustable front-passenger's seat	●	●	●	●	●
Heated front seats (All-Weather Package)	—	○ ¹⁵	●	●	●
Convenience Features					
Keyless Access with Push-Button Start	—	●	●	●	●
Single illuminated USB-A and USB-C rear-seat charge ports	—	●	●	●	●
Rear-seat armrest with dual cup holders	—	●	●	●	●
Automatic transmission manual-mode paddle shifters	—	●	●	●	●
Removable cargo-area tray (Crosstrek Wilderness: Wilderness design)	☐	●	●	●	●

2025 Crosstrek | Equipment

Convenience Features (continued)	Crosstrek	Crosstrek Premium	Crosstrek Sport	Crosstrek Limited	Crosstrek Wilderness
Retractable cover	☐	☐	●	●	●
Audio and Communication Systems					
Subaru Dual 7.0-inch Multimedia System with Apple CarPlay® and Android Auto™ integration, SiriusXM ¹ 4-month trial subscription, illuminated USB-A input port, Bluetooth® and 4 speakers	●	—	—	—	—
Subaru 11.6-inch Multimedia Plus System with wireless Apple CarPlay® and Android Auto™ integration, SiriusXM ¹ with 360L 4-month trial subscription, illuminated USB-A and USB-C input ports, and Bluetooth®	—	●	●	●	●
Subaru 11.6-inch Multimedia System ¹⁵ with Navigation, 3 years of free map updates, wireless Apple CarPlay® and Android Auto™ integration, SiriusXM ¹ with 360L 4-month trial subscription, illuminated USB-A and USB-C input ports, and Bluetooth®	—	—	—	○	—
6 speakers	—	●	●	●	●
Harman Kardon® premium audio system with 432-watt-equivalent amplifier and 10 speakers ¹⁵	—	—	—	○	○
Safety					
ACTIVE					
Automatic Emergency Steering ²	—	○ ¹⁵	○ ¹⁵	●	●
Blind-Spot Detection with Lane Change Assist and Rear Cross-Traffic Alert ⁶	—	○ ¹⁵	○ ¹⁵	●	●
Reverse Automatic Braking (RAB) ⁸	—	—	—	●	●

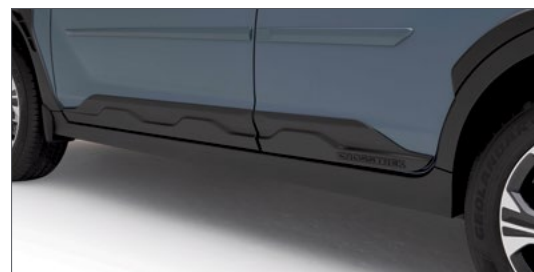
● Standard ○ Optional — Not equipped ☐ Available retailer-installed accessory

Visit [subaru.com](https://www.subaru.com) for the most up-to-date product information.





Door Edge Guards. Help protect your door edges from dings and chips with custom-fit, body color-matched, stainless steel Door Edge Guards. They help preserve the appearance of your Subaru while seamlessly blending into the door design.



Lower Door Cladding. Designed to enhance the rugged exterior appearance of the Crosstrek, Lower Door Cladding is an upward extension of the lower door trim.



Rear Seatback Protector. Provides additional protection to the rear seatbacks when lowering the seats to transport larger cargo. Use in conjunction with the Cargo Tray for optimal protection.



Body Side Molding. Attractive, color-matched moldings coordinate with the styling of the vehicle while helping to protect doors from unsightly dings.



Rear Bumper Cover. Helps protect the upper surface of the painted bumper from scratches and scuffs.



Cargo Net. Neatly holds cargo and prevents it from sliding while the vehicle is in motion.



Door Scuff Protector. A durable, easy-to-clean plastic shell that protects your doors from common shoe scuffs and other scrapes when entering and exiting your vehicle. The design complements the styling of your Crosstrek.



Footwell Illumination Kit. Illuminate dark corners of the front floor area and upgrade the interior ambiance with a soft blue glow.



Side Window Deflectors. Keep inclement weather out while allowing fresh air in. Specifically designed to complement the appearance and shape of the vehicle door, Side Window Deflectors are extensively tested to help reduce wind noise and vibration, as well as evaluated for water intrusion.



Side Sill Plates - Illuminated. Illuminated side sill plates feature the Crosstrek logo in bright white lighting to add an attractive accent to the doorframe. Lighting is activated when the door is opened and turns off when the door is closed. Engineered to stand up to everyday wear and tear to help keep your doorframe safe from scratches and scuffs.



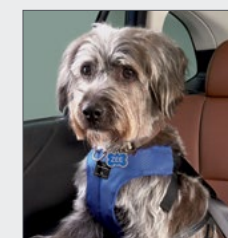
Wireless Charger. Conveniently charge your phone without the hassle of tangled wires. The Wireless Charger is a Qi® Certified Device with intelligent charging profiles, cell phone battery protection, temperature control technology and short circuit safeguards. Compatible with all Qi-enabled devices.



Auto-Dimming Exterior Mirrors with Approach Light. When you approach the vehicle or unlock the doors with the keyless entry system, LED lights in each exterior mirror illuminate the ground next to and toward the rear of the vehicle. During nighttime driving, the Auto-Dimming Exterior Mirrors dim in unison with the Auto-Dimming (Interior) Mirror when glare is detected.
Requires Auto-Dimming (Interior) Mirror.

Subaru Loves Pets®

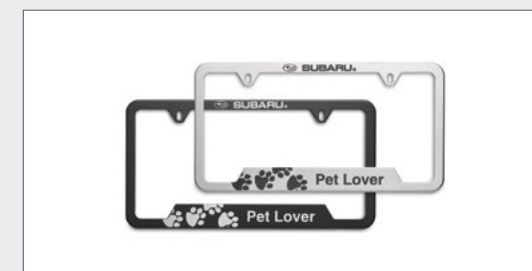
Introducing Genuine Subaru Pet-friendly Accessories.



Pet Harness. Keep your dog safe with this crash-tested Pet Harness, certified by the Center for Pet Safety for dogs from 18 to 90 pounds. Manufactured by Sleepypod® in signature Subaru blue, the Pet Harness can also be used for walking your dog. Available in S, M, L or XL.



Pet Travel Bowl. This portable container makes it easy to bring your pet's food and water on the go. Manufactured by Sleepypod®, the Pet Travel Bowl includes a base compartment for ice to help keep your pet's water cool and wet food fresh.



License Plate Frame – Pet Lover. Share your love for your furry, scaly or feathered friends with our Pet Lover license plate frame. Available in either matte black or polished stainless steel.



Pet Carrier and Mobile Pet Bed. This multi-functional ultra-plush pet bed doubles as a carrier to safely transport your pet in comfort. Manufactured by Sleepypod®, this accessory is crash-tested and certified by the Center for Pet Safety.



Console Lid Protector. Protects the center console lid surface from nail scratches and puncture holes while providing a comfortable armrest for front-seat passengers.



Collapsible Pet Kennel. Portable, compact and lightweight, the Collapsible Pet Kennel, manufactured by Thule®, is ideal for travel and for everyday transport. Includes a carrying handle for easy transport and two pockets to carry your pet's personal cargo.



Pet Ramp. Manufactured by 4pets®, this sturdy, foldable Pet Ramp supports up to 220 lbs. and is especially well-suited for senior dogs and those with mobility issues, thanks to its non-slip design and high-grip ridged surface.



Pet Rear Door Protector. If you're bringing along your furry companion, this lightweight, durable Pet Rear Door Protector helps keep your door panel free from scratches, scuffs and, yes, even drool. Designed to seamlessly fit the contours of your door. Comes in a set of two.



Let nothing hold you back.

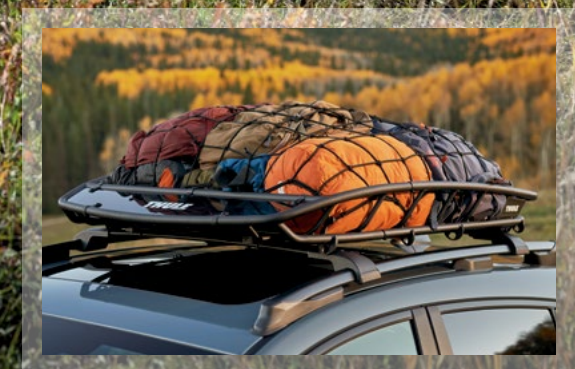
When your passion is even bigger than your cargo area, Genuine Subaru active lifestyle accessory attachments manufactured by Thule® are a smart way to securely transport larger gear like bikes, skis, snowboards, kayaks, paddleboards and more. Each carrier safely attaches to your roof rack, and the available Thule® Portable Step can help you easily access everything.



Thule® Cargo Carrier



Thule® Bike Carrier – Roof-Mounted




Thule® Heavy-Duty Roof Cargo Basket

Protecting Your Investment

Once you're part of our family, we'll be there for you. Every Subaru comes with 24-hour roadside assistance for 3 years or 36,000 miles. And to protect you over the long haul, we offer Added Security[®], which helps protect your car for up to 10 years or 100,000 miles with extended service agreements and maintenance plans backed by Subaru. And because we've been backing them for more than 30 years, they're agreements you can trust. Your retailer has full coverage details.



More Than a Car Company[®].



THE SUBARU LOVE PROMISE[®]

For us, love is about the commitments we make. The Subaru Love Promise[®] is our vision to show love and respect to all people and the planet we all share. Subaru is headquartered in a zero-landfill office in Camden, N.J., and in 2004, Subaru of Indiana Automotive, Inc. (SIA) became the first manufacturing facility in the U.S. to reach zero-landfill status—nothing from its manufacturing efforts ever goes into a landfill.

SUBARU
Loves
the
Earth[®]



SUBARU
Loves
to
Care[®]



SUBARU
Loves
to
Help[®]



SUBARU
Loves
Learning[®]



SUBARU
Loves
Pets[®]



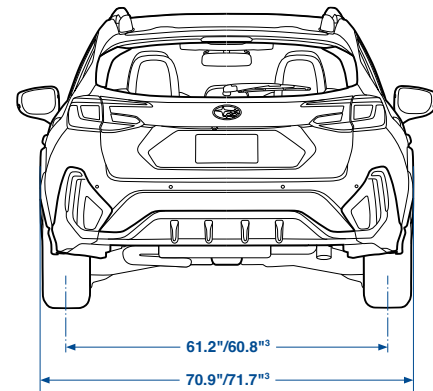
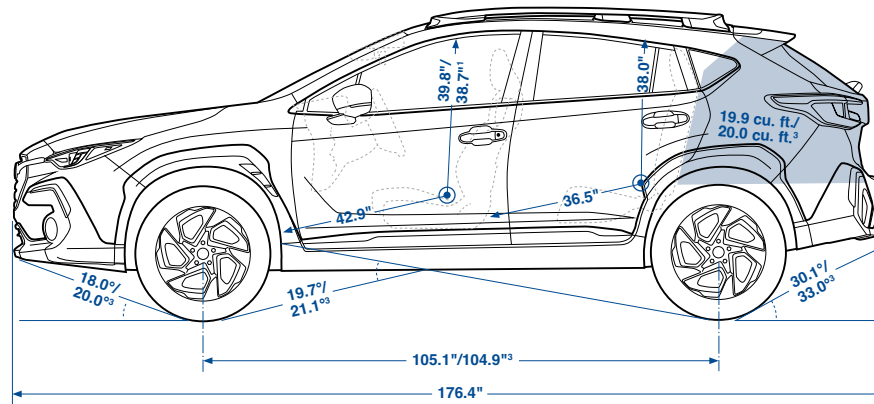
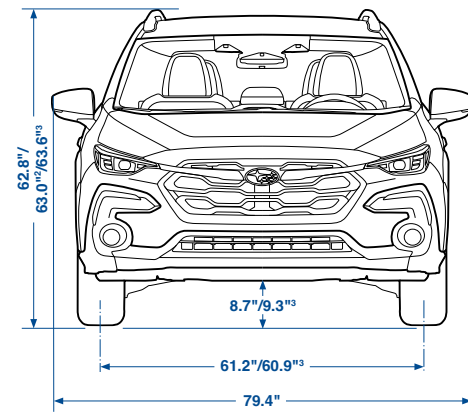
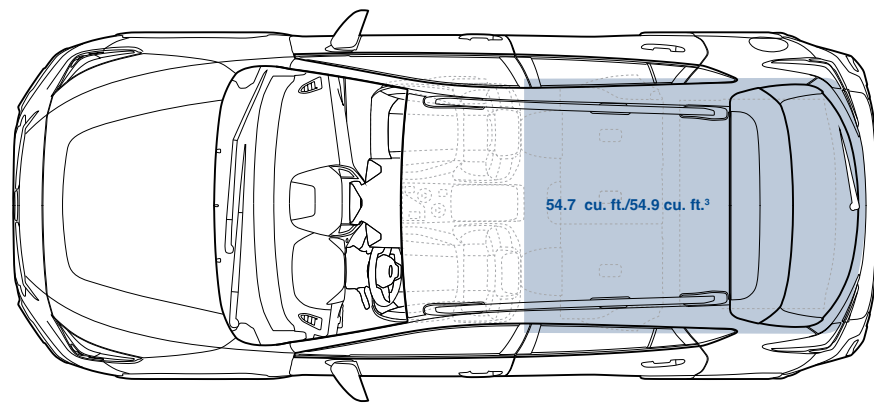
Warranties

New Car Limited Warranty	3 years or 36,000 miles, whichever comes first.
Powertrain Limited Warranty	5 years or 60,000 miles, whichever comes first.
Wear Item Limited Warranty	<p>3 years or 36,000 miles, whichever comes first.</p> <p>Repairs to the following items will also be covered under Wear Item Limited Warranty:</p> <ul style="list-style-type: none"> • Brake Pad/Shoe Linings • Wiper Blades • Clutch Linings
Rust Perforation Limited Warranty	5 years, unlimited mileage.
24-hour Roadside Assistance	3 years or 36,000 miles, whichever comes first.

Visit subaru.com for more information.

1 SiriusXM 4-Month Trial Subscription: Service will automatically stop at the end of your trial subscription period unless you decide to continue service. Trial is non-transferable. If you do not wish to enjoy your trial, you can cancel by calling the number below. All SiriusXM services require a subscription, each sold separately by SiriusXM after the trial period. Service subject to the SiriusXM Customer Agreement and Privacy Policy, visit siriusxm.com for complete terms and how to cancel which includes online methods or calling 1-866-635-2349. Some services and features are subject to device capabilities and location availability. Satellite service not available in AK & HI. Certain features and/or content may not be available in vehicles with SiriusXM with 360L unless an active data connection is enabled in the vehicle. Content varies by SiriusXM subscription plan. All fees, content and features are subject to change. SiriusXM and related logos are trademarks of Sirius XM Radio LLC and its respective subsidiaries. 2 EyeSight is a driver assist technology, which may not operate optimally under all driving conditions. The driver is always responsible for safe and attentive driving. System effectiveness depends on many factors, such as vehicle maintenance, weather and road conditions. The Pre-Collision Braking System is designed to provide automatic braking that either prevents a collision or reduces the severity of a frontal impact. Pre-Collision Throttle Management is designed to reduce acceleration and minimize the severity of certain frontal impacts. Advanced Adaptive Cruise Control, Brake Light Recognition and Automatic Emergency Steering are designed to assist the driver and are not substitutes for safe and attentive driving. Automatic Emergency Steering availability varies by trim level and works in conjunction with and after Pre-Collision Braking has been activated by providing steering support at speeds lower than 50 mph to try and help avoid a collision. Lane centering function operates only when used in conjunction with Advanced Adaptive Cruise Control. Lane Departure and Sway Warning with Lane Departure Prevention operates only when the lane markings are visible, and its effectiveness depends on many factors. See your Owner's Manual for complete details on system operation and limitations. 3 The Supplemental Restraint System (SRS) (airbags) affords the driver and the front passenger additional protection in moderate to severe frontal and side-impact collisions and outboard 2nd-row passengers additional protection in moderate to severe side-impact collisions. This system provides supplemental protection only, and seatbelts must be worn in order to avoid injuries to out-of-position occupants upon airbag deployment and to provide the best combined protection in a serious accident. Children should always be properly restrained in one of the rear seats. See your Owner's Manual for recommended seating position. 4 Activation and subscription required. Internet access is purchased separately through AT&T with monthly, per gigabyte, and unlimited data options available. Existing AT&T customers have the option to add a line to their AT&T Mobile Share plan. See your Subaru retailer for details. 5 Activation with subscription required. Includes a three-year trial subscription to Safety services and a six-month trial subscription to Safety and Security services. The Concierge plan can be purchased annually or monthly. A credit card on file will be required for specific packages and for renewal purposes. Features and availability vary by model and trim level. May not be available in all states. Please contact your local authorized Subaru retailer for more information. 6 Blind-Spot Detection, Lane Change Assist and Rear Cross-Traffic Alert are systems designed to assist the driver by monitoring the rear and side areas of the vehicle during a lane change or reversing and are not a substitute for safe and attentive driving. 7 Qi[®] wireless charging may not be compatible with all mobile devices. When using the wireless charging system, avoid placing metal objects between the wireless charger and the mobile device when charging is active. Doing so may cause metal objects to become hot and could cause burns. 8 The Reverse Automatic Braking System is not a substitute for safe and attentive driving. System effectiveness depends on many factors, such as vehicle maintenance, weather and road conditions. Always exercise caution and use vehicle mirrors and the Rear-Vision Camera when backing up. See your Owner's Manual for complete details on system operations and limitations. 9 Trailer brakes may be needed. Some safety features, including X-MODE, Blind-Spot Detection and Rear Cross-Traffic Alert, may not function properly when towing. See your Subaru retailer for details. 10 2025 EPA fuel economy estimates. Actual mileage may vary. 11 Compared to all other measured mass-market automotive companies in the 2024 American Customer Satisfaction Index (ACSI[®]) surveys of customers rating their own automotive company's performance. ACSI and its logo are registered trademarks of the American Customer Satisfaction Index, LLC. 12 Vehicle's projected resale value is specific to the 2019-2024 model years. For more information, visit Kelley Blue Book's KBB.com. Kelley Blue Book is a registered trademark of Kelley Blue Book Co., Inc. 13 For more information, visit Autotrader.com. Autotrader is a registered trademark and used with permission. 14 Based on Experian Automotive non-luxury vehicles in operation vs. total new registrations for MY2014-2023 as of December 2023. 15 Available only with other features. See Optional Package listing on Trim Levels page. 16 The glass information listed represents calculated reference values and may not represent actual values determined by testing. 17 Premium paint at additional cost. See your Subaru retailer for details.

2025 Crosstrek | Dimensions



Length	176.4 inches	Ground clearance	8.7 inches (at base curb weight) Crosstrek Wilderness: 9.3 inches (at base curb weight)
Width	70.9 inches / Crosstrek Wilderness: 71.7 inches (79.4 inches, including mirrors)	Approach angle	18.0°/ Crosstrek Wilderness: 20.0°
Height	62.8 inches (63.0 inches with roof rails) Crosstrek Wilderness: 63.6 inches	Departure angle	30.1°/ Crosstrek Wilderness: 33.0°
Wheelbase	105.1 inches Crosstrek Wilderness: 104.9 inches	Breakover angle	19.7°/ Crosstrek Wilderness: 21.1°
Track (front/rear)	61.2 inches/61.2 inches Crosstrek Wilderness: 60.9 inches/60.8 inches	Headroom (front/rear)	39.8 inches/38.0 inches (with moonroof: 38.7 inches/38.0 inches)
Base curb weight	Crosstrek: 3,277 lbs. Crosstrek Premium: 3,304 lbs. Crosstrek Sport: 3,332 lbs. Crosstrek Limited: 3,349 lbs. Crosstrek Wilderness: 3,369 lbs.	Legroom (front/rear)	42.9 inches/36.5 inches
Towing capacity⁴	1,500 lbs. Crosstrek Wilderness: 3,500 lbs.	Shoulder room (front/rear)	56.8 inches/55.3 inches
		Hip room (front/rear)	55.1 inches/53.2 inches
		Passenger volume	100.5 cubic feet (with moonroof: 99.0 cubic feet)
		Cargo volume	19.9 cubic feet Crosstrek Wilderness: 20.0 cubic feet
		Maximum cargo volume	54.7 cubic feet (with rear seatbacks lowered) Crosstrek Wilderness: 54.9 cubic feet

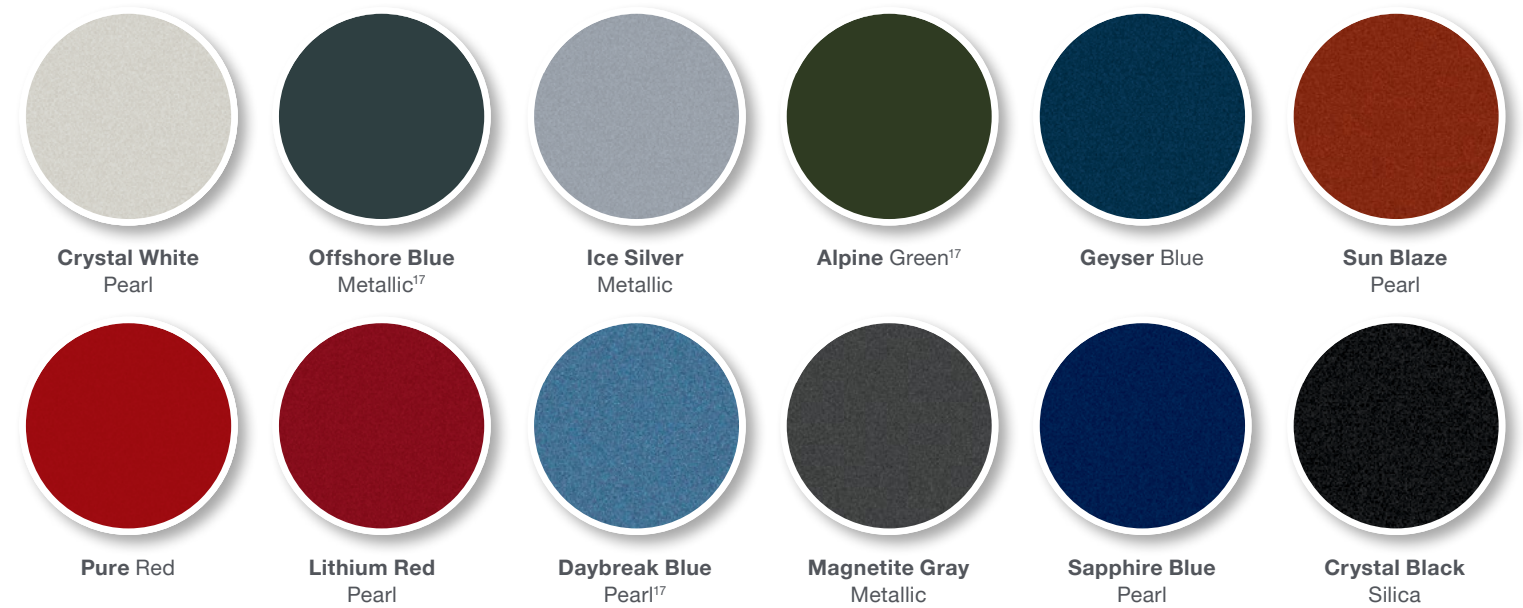
1 With available moonroof. Moonroof availability varies by trim level. 2 Trim levels with raised roof rails. 3 Crosstrek Wilderness trim. 4 Trailer brakes may be needed. Some safety features, including X-MODE, Blind-Spot Detection and Rear Cross-Traffic Alert, may not function properly when towing. See your Subaru retailer for details.

Some images shown are for illustration purposes only. Specifications and imagery in this brochure are based on the latest product information available at the time of publication. Production models may vary. For the most up-to-date and detailed product information, log on to subaru.com. Some equipment shown in photography in this brochure is optional at extra cost. Specific options may be available only in combination with other options. Specific combinations of equipment or features may vary from time to time and by geographic area. Certain accessories and equipment may not be available at the time of publication. Subaru of America, Inc., reserves the right to change or discontinue at any time, without notice, prices, colors, materials, equipment, accessories, specifications, models and packages without incurring any obligation to make the same or similar changes on vehicles previously sold. Colors shown may vary due to reproduction and printing processes.

This brochure was prepared by Subaru of America, Inc. Every owner of the car during the warranty period shall be entitled to the benefit of these warranties. Subaru, SUBARU BOXER, MySubaru, BRZ, EyeSight, Impreza, Lineartronic, Legacy, Solterra, STI, Wilderness, WRX and X-MODE are registered trademarks of Subaru Corporation. Added Security, Ascent, Crosstrek, Forester, Outback, DriverFocus, StarTex and StarDrive are registered trademarks of Subaru of America, Inc. 4pets[®] is a registered trademark of Brüggli. Apple CarPlay[®] is a registered trademark of Apple Inc. Bluetooth[®] is a registered trademark of Bluetooth SIG, Inc. Forest Stewardship Council[®], FSC[®] and the FSC[®] checkmark-and-tree logo are registered trademarks of Forest Stewardship Council AC. Google, Android, Android Auto, and Google Play are trademarks of Google LLC. Harman Kardon[®] is a registered trademark of Harman International Industries, Inc. MotorTrend[®] is a registered trademark of Motor Trend Group, LLC. Qi[®] is a registered trademark of Wireless Power Consortium, Inc. SiriusXM, and all related logos are trademarks of Sirius XM Radio Inc. and its respective subsidiaries. Other marks, channel names and logos are the property of their respective owners. All rights reserved. Sleepypod[®] is a registered trademark of LaunchLab Corp. Thule[®] is a registered trademark of the Thule Group. Yokohama[®] and GEOLANDAR[®] are registered trademarks of Yokohama Tire Company. For more information, contact your Subaru retailer or log on to subaru.com.

2025 Crosstrek | Colors

Paint



Upholstery



Color Combinations	Crosstrek	Crosstrek Premium	Crosstrek Sport	Crosstrek Limited	Crosstrek Wilderness
Crystal White Pearl	GC	BC or GC	SC	BL or GL	WES
Offshore Blue Metallic ¹⁷	GC	BC or GC	-	-	-
Ice Silver Metallic	GC	BC	SC	BL	WES
Alpine Green ¹⁷	-	-	SC	BL or GL	WES
Geyser Blue	-	-	-	-	WES
Sun Blaze Pearl	GC	BC	-	BL	WES
Pure Red	GC	BC	-	-	-
Lithium Red Pearl	-	-	-	BL	WES
Daybreak Blue Pearl ¹⁷	GC	BC	-	-	-
Magnetite Gray Metallic	GC	BC or GC	SC	BL or GL	WES
Sapphire Blue Pearl	GC	BC	SC	BL	WES
Crystal Black Silica	GC	BC	SC	BL	WES

Visit subaru.com for the most up-to-date product information.

- Not available

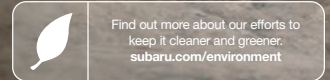
See 2025 models in action

 youtube.com/subaru

These brochures were printed with vegetable-based inks and produced using a "Green Printing Process." The Forest Stewardship Council® (FSC) is an international organization that brings people together to find solutions which promote responsible stewardship of the world's forests and environments.

By producing these brochures in a green way rather than by traditional methods, we saved 89 trees preserved for the future; 20,000 gallons of wastewater flow saved; 400 lbs solid waste not generated; 50,000 lbs net greenhouse gases prevented; 40,000,000 BTUs energy not consumed. Calculations provided by Environmental Paper Network. FSC® is not responsible for any calculations on saving resources by choosing this paper.

This brochure is printed in the U.S.A. on 10% recycled paper. ©2025 Subaru of America, Inc. 25.CTKSRB.525 (DSGN-P605, 166K, 1/25, KSL)



Love. It's what makes Subaru, Subaru.®

