

Legacy | 2025



The Subaru Legacy. Love, for all the right reasons.





Arrive like you've never imagined.

Meet the 2025 Subaru Legacy.

It's that feeling you get when the next level is within reach. When the latest safety technologies combine with renowned Subaru reliability to give you confidence. A sense of connection is made possible by advanced technology, and you experience the warm invitation of premium materials and abundant space. You're here. Feel the love, for all the right reasons.



Legacy Touring XT in Cosmic Blue Pearl.

1 EyeSight is a driver assist technology, which may not operate optimally under all driving conditions. The driver is always responsible for safe and attentive driving. System effectiveness depends on many factors such as vehicle maintenance, weather and road conditions. See your Owner's Manual for complete details on system operation and limitations. 2 Availability varies by trim level. See your Subaru retailer for details. 3 The DriverFocus Distraction Mitigation System is a driver recognition technology designed to alert drivers if their attention to the road wavers or if the driver's face appears to turn away. The driver is always responsible for safe and attentive driving. System effectiveness may be affected by articles of clothing worn on the head or face. See your Owner's Manual for complete details on system operation and limitations. 4 Based on Experian Automotive vehicles in operation vs. total new registrations for MY2014-2023 as of December 2023.

Safest

Innovations in the Legacy look out for you and help keep you focused on the road, including standard EyeSight® Driver Assist Technology¹ and the available DriverFocus® Distraction Mitigation System.^{2,3} Peace of mind is at the core of the Legacy, thanks to the strong build of its Subaru Global Platform.

Most Reliable

This has always been a sedan designed to last: 94% of Subaru Legacy vehicles sold in the last 10 years are still on the road today.⁴ One of the many reasons is Subaru core technology, featuring Subaru Symmetrical All-Wheel Drive, standard on every Legacy.

Most Advanced

An available 11.6-inch touchscreen makes connecting easy and intuitive.² Through SUBARU STARLINK® Multimedia, you can enjoy your music and apps almost anywhere you go with available wireless Apple CarPlay® and Android Auto™ integration.²

Most Comfortable and Spacious

Abundance is what defines comfort and space in our most refined sedan ever. It means soft-touch materials throughout the spacious cabin and generous legroom for everyone. And the Legacy Touring XT indulges you even more with upgrades, including genuine Nappa Leather.



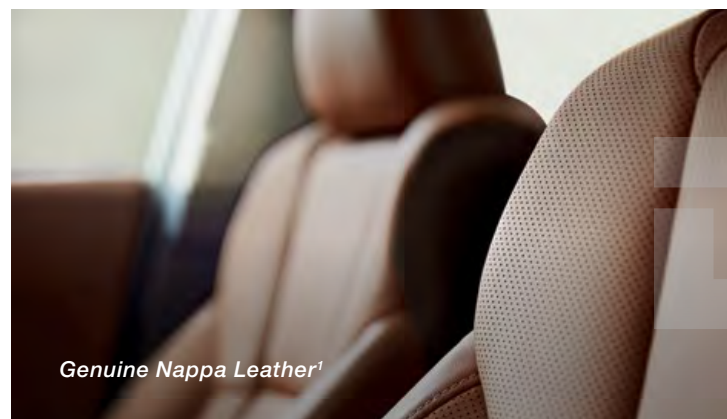
We've been
expecting you.

With next-level comfort and generous space, the Legacy is designed to welcome you every time. Even before you get in, available Remote Engine Start with Climate Control lets you set your ideal temperature so the interior is ready for you the moment you enter.^{1,2} The experience continues with a roomy cabin that includes 39.5 inches of rear legroom—more than the Camry, Sonata, K5 and Altima³—plus soft-touch materials, available heated front and rear seats,¹ and an available 360-degree heated steering wheel.¹ Thanks to laminated glass and a body structure that optimizes the placement of sound insulation, this is the quietest Legacy interior ever.

Legacy Limited with Warm Ivory Leather.



Soft-touch Materials



Genuine Nappa Leather¹



Heated Rear Seats and Dual USB Charge Ports¹

Touring XT refines the feeling further.

Only by selecting the Touring XT trim can you elevate your Legacy with a genuine Nappa Leather interior. Heated and ventilated seats and a full-circumference heated steering wheel increase comfort in the front row, while features like automatic power-folding exterior mirrors heighten convenience even further. It's the Legacy in its most inviting form.

¹ Availability varies by trim level. See your Subaru retailer for details. ² Requires Keyless Access with Push-Button Start and subscription to STARLINK® Safety and Security Plus services. 6-month free trial included. Not available in all states. See your Subaru retailer for details. ³ Competitor information from manufacturer websites for 2024 model-year vehicles and current at time of printing. Competitors' maximum specification figures used for comparison.



An extra set of eyes every time you drive.

Every Legacy includes standard Subaru EyeSight Driver Assist Technology,¹ which features available Automatic Emergency Steering.² Equipped with a comprehensive suite of innovative safety features, EyeSight looks ahead, alerts you to potential dangers and can even intervene to help you avoid a collision.



Legacy Touring XT in Cosmic Blue Pearl.



Pre-Collision Braking

Can help slow and bring your Legacy to a full stop if necessary.



Lane Departure and Sway Warning

Can alert you if you drift to the edge of your lane and begin to cross into another.



Advanced Adaptive Cruise Control with Lane Centering

Automatically helps keep you centered in your lane, at a safe distance behind the car in front of you—even in traffic and around curves.



Pre-Collision Throttle Management

Can reduce engine power to help give you more time to react and to help minimize possible impact force in case of a collision.

¹ EyeSight is a driver assist technology, which may not operate optimally under all driving conditions. The driver is always responsible for safe and attentive driving. System effectiveness depends on many factors such as vehicle maintenance, weather and road conditions. See your Owner's Manual for complete details on system operations and limitations. ² Automatic Emergency Steering requires Blind-Spot Detection. Availability varies by trim level. See your Subaru retailer for details.



Every day in the U.S., more than 1,000 people are injured in crashes reported to have involved a distracted driver.¹ As an industry leader in safety, Subaru developed the DriverFocus Distraction Mitigation System,^{2,3} one of the first technologies of its kind. Engineered for both new and experienced drivers, it works together with EyeSight to help detect distracted or drowsy driving. If the driver's attention strays from the road for too long, DriverFocus can deliver visual and auditory alerts to bring attention back to the road.

¹ Centers for Disease Control and Prevention, citing National Center for Statistics and Analysis. Distracted Driving: 2015, in Traffic Safety Research Notes. DOT HS 812 381. March 2017. National Highway Traffic Safety Administration: Washington, D.C. ² The DriverFocus Distraction Mitigation System is a driver recognition technology designed to alert drivers if their attention to the road wavers or if the driver's face appears to turn away. The driver is always responsible for safe and attentive driving. System effectiveness may be affected by articles of clothing worn on the head or face. See your Owner's Manual for complete details on system operation and limitations. ³ Availability varies by trim level. See your Subaru retailer for details.

In the stop-and-go,
confidence in all directions.



Legacy Touring XT in Crimson Red Pearl.

Enhanced Awareness

No matter where you go, there are things you might not see coming. We prioritize giving you a clear view of what's ahead and around corners, with an available 180-Degree Front View Monitor¹ and standard LED Steering Responsive Headlights with High Beam Assist. The Legacy is also equipped with innovations that help keep you aware whether you're moving forward, reversing or changing lanes, so you can enjoy peace of mind on every drive.



Blind-Spot Detection

Using radar sensors, Blind-Spot Detection^{1,2} warns you with a visual indicator on your exterior mirror if the system detects a vehicle in your blind spot. Another feature of this system, Lane Change Assist, alerts you with a flashing indicator on your exterior mirror if it senses a vehicle approaching at a higher speed in a neighboring lane.



Rear Cross-Traffic Alert

Rear Cross-Traffic Alert^{1,2} uses radar sensors to help warn you of traffic approaching from the side as you are backing up, utilizing a flashing visual indicator on your exterior mirror and Rear-Vision Camera display as well as an audible warning.



Reverse Automatic Braking

Reverse Automatic Braking^{1,3} can detect objects directly behind your vehicle when backing up at a low speed and can help bring the Legacy to a stop should an object be detected within its range and the brakes have yet to be applied. There's also the Rear-Vision Camera to help you keep an eye out.



SUBARU STARLINK Safety and Security

The Legacy features the latest STARLINK Safety and Security^{1,4} system, which can alert a first responder in an emergency, help police locate your vehicle if it's stolen and more. To get you started, new Legacy drivers enjoy a free three-year STARLINK Safety Plus trial, which includes Advanced Automatic Collision Notification, Enhanced Roadside Assistance, SOS Emergency Assistance and more.



¹ Availability varies by trim level. See your Subaru retailer for details. ² Blind-Spot Detection, Lane Change Assist and Rear Cross-Traffic Alert are systems designed to assist the driver by monitoring the rear and side areas of the vehicle during a lane change or reversing and are not a substitute for safe and attentive driving. ³ The Reverse Automatic Braking System is not a substitute for safe and attentive driving. System effectiveness depends on many factors, such as vehicle maintenance, weather and road conditions. Always exercise caution and use vehicle mirrors and the Rear-Vision Camera when backing up. See your Owner's Manual for complete details on system operation and limitations. ⁴ Activation with subscription required. Includes a 3-year trial subscription to Safety Plus services and a 6-month trial subscription to Safety and Security Plus services. The Concierge plan can be purchased annually or monthly. A credit card on file will be required for specific packages and for renewal purposes. Not available in all states. See your Subaru retailer for details.

260HP

Direct Injection Turbocharged SUBARU BOXER Engine

Up to 31 MPG hwy¹

182HP

Direct Injection SUBARU BOXER Engine

Up to 35 MPG hwy¹

Let your passion
take you far.

Reliability for miles—and more.

Starting from its core, the Legacy is built for longevity. Subaru Symmetrical All-Wheel Drive is the result of decades of Subaru expertise in full-time AWD engineering, and the Subaru Global Platform is simply our strongest foundation ever—incredibly durable and built to last. Plus, the Legacy has a lower center of gravity, thanks to the SUBARU BOXER® engine's low placement in the chassis—this translates to more confidence on the road.

The 2025 Legacy Sport.

Style is one thing. Character is what's beneath the sleek exterior of the Legacy Sport. That's where you'll find its turbocharged SUBARU BOXER engine producing 260 horsepower—and a sport-tuned suspension handling the road with noticeable ease. Inside, you have the comfort of two-tone black and gray seats with red stitching, while SI-DRIVE® puts you in control of efficiency and performance.



¹ EPA-estimated highway fuel economy for 2025 Legacy 2.5L trims at 35 highway mpg and 2025 Legacy Sport and Touring XT trims at 31 highway mpg. Actual mileage may vary.

Legacy Sport in Crystal White Pearl.

Connect at any moment. Accommodate for any mood.

Accessing your favorite media whenever you want is essential. Go big on your ability to connect with an available 11.6-inch touchscreen.¹ SUBARU STARLINK Multimedia with available wireless Apple CarPlay® and Android Auto™ integration¹ offers simple, intuitive access to your music and apps, while the available Harman Kardon® premium audio system uses 576 equivalent watts of power to deliver pristine audio through 12 speakers.¹ Passengers can easily connect to their media, too, with available built-in Wi-Fi hotspot capacity^{1,2} and four USB ports¹ that ensure charged devices all around.



Harman Kardon® Premium Audio System¹



Customization that remembers you.

From the moment you sit behind the wheel, available DriverFocus recognizes you and automatically adjusts the Legacy to your preferences.^{1,3} This includes driver seat settings, climate controls, exterior mirrors and even your choices for which vehicle system information appears on the screen.

¹ Availability varies by trim level. See your Subaru retailer for details. ² Internet access is purchased separately through AT&T with monthly, per gigabyte, and unlimited data options available. Existing AT&T customers have the option to add a line to their AT&T Mobile Share plan. ³ The DriverFocus Distraction Mitigation System is a driver recognition technology designed to alert drivers if their attention to the road wavers or if the driver's face appears to turn away. The driver is always responsible for safe and attentive driving. System effectiveness may be affected by articles of clothing worn on the head or face. See your Owner's Manual for complete details on system operation and limitations.

2025 Legacy | Trim Levels



Legacy

- 182-hp 2.5-liter 4-cylinder SUBARU BOXER engine with direct injection
- Subaru Symmetrical All-Wheel Drive with Active Torque Vectoring
- Lineartronic® CVT (Continuously Variable Transmission) with 8-speed manual-mode paddle shifters
- Auto Start-Stop System
- Auto-on/off LED Steering Responsive Headlights with High Beam Assist
- 17-inch aluminum-alloy wheels. Black with machine finish.
- Black folding exterior mirrors
- Cloth upholstery
- 6-way manually adjustable driver seat and 4-way manually adjustable front-passenger seat
- 8 cup and bottle holders
- SUBARU STARLINK Dual 7.0-inch Multimedia with Apple CarPlay® and Android Auto™ integration, SiriusXM¹ including 4-month trial and SiriusXM Travel Link®¹ trial, USB-A input port, Bluetooth® and 4 speakers
- Automatic climate control
- Driver and front-passenger auto-up/down power windows
- EyeSight Driver Assist Technology²: Pre-Collision Braking System, Pre-Collision Throttle Management, Lane Departure and Sway Warning with Lane Departure Prevention and Advanced Adaptive Cruise Control with Lane Centering
- 8 airbags (SRS)³: dual-stage deployment driver and front-passenger, driver's knee, front-passenger seat cushion, front and rear outboard occupant side curtain with rollover sensor, and seat-mounted front side impact
- Whiplash-reducing front seats with height-adjustable head restraints
- Height-adjustable 3-point front seatbelts with pretensioners and adaptive load limiters and 3-point seatbelts for all rear seating positions
- Front/rear passenger seatbelt warning light/chime, rear-seat reminder and child-safety rear door locks
- LATCH system: Lower Anchors and Tethers for CHildren
- Rear-Vision Camera



Legacy Premium

Includes Legacy key features and adds:

- Body-color exterior mirrors with integrated turn signals
- All-Weather Package: Heated exterior mirrors, 3-mode heated front seats, windshield wiper de-icer
- 10-way power-adjustable driver seat with 2-way lumbar support
- Leather-wrapped steering wheel and shifter handle
- SUBARU STARLINK 11.6-inch Multimedia Plus with wireless Apple CarPlay® and Android Auto™ integration, SiriusXM¹ with 360L including 4-month trial and SiriusXM Travel Link®¹ trial, USB-A and USB-C input ports, Bluetooth® and 6 speakers
- 4G LTE Wi-Fi capability⁴
- Dual-zone automatic climate control system with air filtration
- Single USB-A and USB-C rear-seat charge ports
- Center console 12-volt power outlet
- STARLINK Safety and Security enabled⁵: Includes features and services such as Advanced Automatic Collision Notification, SOS Emergency Assistance, Enhanced Roadside Assistance, Maintenance Notifications, Vehicle Health Reports, Diagnostic Alerts, Remote Engine Start with Climate Control,⁶ Remote Lock/Unlock, Concierge Services and more

Optional Packages

Option Package (13): LED fog lights • Keyless Access with Push-Button Start • Blind-Spot Detection with Lane Change Assist and Rear Cross-Traffic Alert⁷ • Automatic Emergency Steering²

Option Package (15): LED fog lights • Power moonroof • Keyless Access with Push-Button Start • Blind-Spot Detection with Lane Change Assist and Rear Cross-Traffic Alert⁷ • Automatic Emergency Steering² • SUBARU STARLINK 11.6-inch Multimedia Navigation System



Legacy Limited

Includes Legacy Premium key features and adds:

- 18-inch aluminum-alloy wheels. Gray with machine finish.
- LED fog lights
- Automatic tilt-down passenger-side mirror
- Power moonroof
- Keyless Access with Push-Button Start
- Leather-trimmed upholstery
- 12-way power-adjustable driver seat with 4-way lumbar support
- 8-way power-adjustable front-passenger seat
- Adjustable driver-seat thigh support
- Two-position memory driver seat and side mirrors
- Heated steering wheel
- Heated outboard rear seats
- SUBARU STARLINK 11.6-inch Multimedia Navigation with 3 years of map updates, SiriusXM¹ with 360L including 4-month trial and 3-year SiriusXM Traffic⁸ and SiriusXM Travel Link®⁸ trials
- Harman Kardon® 576-watt-equivalent premium audio system with 12 speakers
- Auto-dimming rearview compass mirror with HomeLink®
- Auto-up/down front and rear windows
- EyeSight Driver Assist Technology with Automatic Emergency Steering²
- Blind-Spot Detection with Lane Change Assist and Rear Cross-Traffic Alert⁷
- Reverse Automatic Braking⁹
- DriverFocus Distraction Mitigation System¹⁰



Legacy Sport

Includes Legacy Premium key features and adds:

- 260-hp 2.4-liter 4-cylinder direct injection turbocharged SUBARU BOXER engine
- Lineartronic CVT (Continuously Variable Transmission) High-Torque with 8-speed manual-mode paddle shifters
- SI-DRIVE Engine Performance Management
- Dual exhaust with stainless steel tips
- Sport-tuned suspension
- LED fog lights
- 18-inch aluminum-alloy wheels. Gray finish.
- Sport front grille and Sport badges
- Magnetite Gray Metallic finish trunk spoiler and exterior mirrors with integrated turn signals
- Power moonroof
- Keyless Access with Push-Button Start
- Two-Tone Black and Gray Cloth upholstery with red contrast stitching
- Gunmetal metallic interior accents
- Aluminum-alloy pedal covers
- Heated steering wheel
- Harman Kardon® 576-watt-equivalent premium audio system with 12 speakers
- Auto-dimming rearview compass mirror with HomeLink®
- Auto-up/down front and rear windows
- EyeSight Driver Assist Technology with Automatic Emergency Steering²
- Blind-Spot Detection with Lane Change Assist and Rear Cross-Traffic Alert⁷
- Reverse Automatic Braking⁹
- DriverFocus Distraction Mitigation System¹⁰



Legacy Touring XT

Includes Legacy Limited key features and adds:

- 260-hp 2.4-liter 4-cylinder direct injection turbocharged SUBARU BOXER engine
- Lineartronic CVT (Continuously Variable Transmission) High-Torque with 8-speed manual-mode paddle shifters
- Dual exhaust with stainless steel tips
- Automatic power-folding exterior mirrors with satin chrome
- Body-color door handles with chrome inserts
- 180-Degree Front View Monitor
- Nappa Leather-trimmed upholstery
- High-grade leather-wrapped steering wheel
- 3-mode ventilated front seats
- EyeSight Driver Assist Technology² with wide-angle mono camera



Information current at time of printing.

Visit www.subaru.com for the most up-to-date product information.

2025 Legacy | Specifications

		Legacy Legacy Premium Legacy Limited	Legacy Sport Legacy Touring XT
Engine and Drivetrain			
Engine Power Torque	2.5-liter DOHC direct injection aluminum-alloy 16-valve 4-cylinder horizontally opposed SUBARU BOXER engine with Dual Active Valve Control System (DAVCS). 182 hp @ 5,800 rpm 176 lb-ft @ 4,400 rpm	●	—
	2.4-liter DOHC Direct Injection Turbocharged (DIT), intercooled, aluminum-alloy 16-valve 4-cylinder horizontally opposed SUBARU BOXER engine with Dual Active Valve Control System (DAVCS). 260 hp @ 5,600 rpm 277 lb-ft @ 2,000–4,800 rpm	—	●
SI-DRIVE Engine Performance Management System	Subaru Intelligent Drive (SI-DRIVE) enables two distinctively different modes of vehicle performance characteristics by regulating the engine control unit (ECU) and the transmission control unit (TCU) as well as fine-tuning the electronically controlled throttle. Legacy, Legacy Premium, Legacy Limited and Legacy Touring XT: N/A Legacy Sport: Standard	—	●
Traction and Stability			
Active Torque Vectoring	Active Torque Vectoring works in tandem with VDC, applying braking power to the inside wheels, resulting in better handling, sharper turn-in, more neutral steering and higher cornering limits when turning.	●	●
Auto Vehicle Hold (AVH)	AVH helps to reduce driver fatigue by holding the vehicle in place when the vehicle is stopped, after the brake pedal has been released. Utilizing VDC and the Electronic Parking Brake, AVH can hold the vehicle stationary on level, decline or incline surfaces.	●	●

2025 Legacy | Specifications

		Legacy Legacy Premium Legacy Limited	Legacy Sport Legacy Touring XT
Fuel			
Fuel Economy	city/highway/combined ¹¹	27/35/30 mpg	23/31/26 mpg
Fuel Requirement	Unleaded gasoline (87 octane)	●	●
Fuel Capacity	18.5 gallons	●	●
Chassis			
Steering	Electric power-assisted quick-ratio rack-and-pinion steering (EPAS). Turning circle: 36.8 feet.	●	●
Suspension	Legacy Sport: Sport-tuned. Front: Strut-type with lower L-arm. Stabilizer bar. Rear: Double-wishbone. Stabilizer bar.	●	●
Brakes	4-wheel ventilated disc ABS with Electronic Brake-force Distribution (EBD)	●	●
Brake Override System	If both brake and accelerator pedals are pressed simultaneously, the system reduces the operation of the accelerator pedal to help prevent unintentional vehicle acceleration.	●	●

● Standard ○ Optional — Not equipped



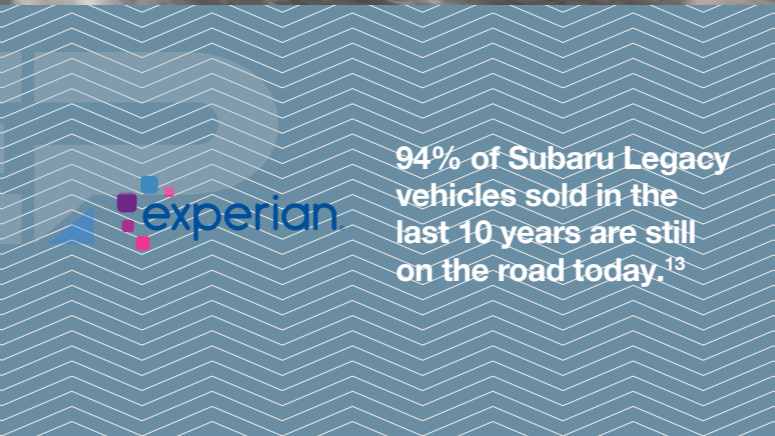
Subaru is rated #1 in product quality for three years in a row.¹²



The Subaru Legacy is an IntelliChoice SmartChoice winner for Retained Value.¹⁴



Subaru is rated #1 in safety for four years in a row.¹²



94% of Subaru Legacy vehicles sold in the last 10 years are still on the road today.¹³



2025 Legacy | Equipment

Exterior	Legacy	Legacy Premium	Legacy Limited	Legacy Sport	Legacy Touring XT
Automatic tilt-down passenger-side mirror	—	—	●	—	●
Power tilt/sliding-glass moonroof (95% UV light-reducing) ¹⁵	—	○ ¹⁶	●	●	●
Trunk spoiler	□	□	□	●	□
Seating and Trim					
6-way manually adjustable driver seat	●	—	—	—	—
10-way power-adjustable driver seat with 2-way adjustable lumbar support	—	●	—	●	—
12-way power-adjustable driver seat with 4-way adjustable lumbar support	—	—	●	—	●
4-way manually adjustable front-passenger seat	●	●	—	●	—
8-way power-adjustable front-passenger seat	—	—	●	—	●
Adjustable driver-seat thigh support	—	—	●	—	●
Heated front seats (All-Weather Package)	—	●	●	●	●
Heated outboard rear seats	—	—	●	—	●
3-mode ventilated front seats	—	—	—	—	●
Full-circumference heated steering wheel	—	—	●	●	●
Convenience Features					
Keyless Access with Push-Button Start	—	○ ¹⁶	●	●	●
2-position memory driver seat and exterior mirrors	—	—	●	—	●
Auto-dimming rearview compass mirror with HomeLink®	□	□	●	●	●
Rear seat auto-up/down power windows	—	—	●	●	●

● Standard ○ Optional — Not equipped □ Available retailer-installed accessory

2025 Legacy | Equipment

Audio and Communication Systems	Legacy	Legacy Premium	Legacy Limited	Legacy Sport	Legacy Touring XT
SUBARU STARLINK Dual 7.0-inch Multimedia with Apple CarPlay® and Android Auto™ integration, SiriusXM ¹ including 4-month trial and SiriusXM Travel Link® ¹ trial, USB-A input port, Bluetooth® and 4 speakers	●	—	—	—	—
SUBARU STARLINK 11.6-inch Multimedia Plus with wireless Apple CarPlay® and Android Auto™ integration, SiriusXM ¹ with 360L including 4-month trial and SiriusXM Travel Link® ¹ trial, USB-A and USB-C input ports, and Bluetooth®	—	●	—	●	—
SUBARU STARLINK 11.6-inch Multimedia Navigation System with 3 years of free map updates, wireless Apple CarPlay® and Android Auto™ integration, SiriusXM ¹ with 360L including 4-month trial, 3-year SiriusXM Traffic ³ and SiriusXM Travel Link® ³ trials, USB-A and USB-C input ports, and Bluetooth®	—	○ ¹⁶	●	—	●
6 speakers	—	●	—	—	—
Harman Kardon® premium audio system with a 576-watt-equivalent amplifier and 12 speakers, including center dash speaker and subwoofer	—	—	●	●	●
Safety					
ACTIVE					
Blind-Spot Detection with Lane Change Assist and Rear Cross-Traffic Alert ⁷	—	○ ¹⁶	●	●	●
Reverse Automatic Braking (RAB) ⁹	—	—	●	●	●
DriverFocus Distraction Mitigation System (DMS) ¹⁰	—	—	●	●	●
180-degree Front View Monitor	—	—	—	—	●

Legacy | Accessories



Door Edge Guards. Help protect your door edges from dings and chips with custom-fit, body color-matched Door Edge Guards. They help preserve the appearance of your Subaru while seamlessly blending into the door design.



Interior Trim – Woodgrain. Elevate the style of your Legacy interior with the refined appearance and high-end feel of a woodgrain accent for your dash.

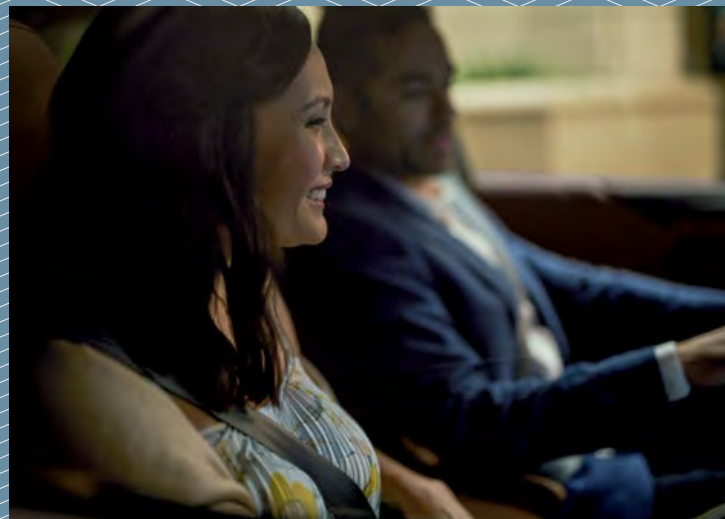


Door Scuff Protector. A durable, easy-to-clean plastic shell that protects your doors from common shoe scuffs and other scrapes when entering and exiting your vehicle. The unique texture complements the design of the Legacy.



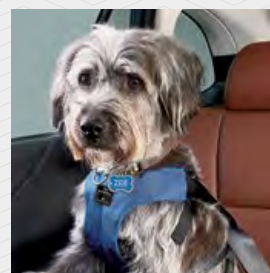
Auto-Dimming Mirror with Compass and HomeLink®. Detects glare and darkens automatically. Includes an 8-point digital compass and HomeLink®, which can be programmed for most garage doors, security gates, home lighting and more. Can also let you know if your garage door was left open when programmed to a compatible opener.

17 | 2025 Legacy



Subaru Loves Pets

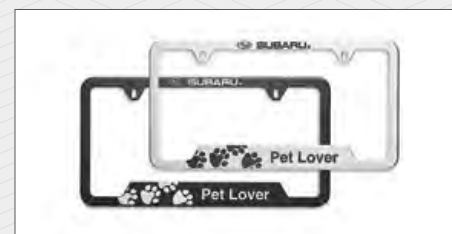
Introducing Genuine Subaru Pet-friendly Accessories.



Pet Harness. Certified by the Center for Pet Safety, this crash-tested Pet Harness helps protect dogs that weigh from 18 to 90 pounds. Manufactured by Sleepypod® in signature Subaru blue, the Pet Harness can also be used for walking your dog. Available in S, M, L or XL.



Seat Cover – Rear. Keep your back seat tidy with this water-resistant seat cover. Machine-washable and LATCH-accessible, the rear seat cover is easy to install and tailored to fit snugly. A polyester front and polyurethane-coated back help provide full protection for the seat and headrests—perfect for pets, kids and life on the go.



License Plate Frame – Pet Lover. Share your love for your furry, scaly or feathered friends with our Pet Lover license plate frame. Available in either matte black or polished stainless steel.



Pet Carrier and Mobile Pet Bed. This multi-functional ultra-plush pet bed also doubles as a carrier to safely transport your pet in comfort. Manufactured by Sleepypod®, this accessory is crash-tested and certified by the Center for Pet Safety.



Pet-friendly Padded Seat Protector. Protect your back seat from muddy paws and pet hair with this heavy-duty, water-resistant accessory. Easy to install, machine-washable and LATCH-accessible. 60/40 seat functionality compromised when in use.



Console Lid Protector. Protects the center console lid surface from nail scratches and puncture holes, while providing a comfortable armrest for front-seat passengers.



Pet Travel Bowl. This portable container makes it easy to bring your pet's food and water on the go. Manufactured by Sleepypod®, the Pet Travel Bowl includes a base compartment for ice to help keep your pet's water cool and wet food fresh.



Cargo Tray. Helps protect the trunk area from stains and dirt, while providing a surface that helps reduce the shifting of cargo while driving.



Body Side Molding. Color-matched molding helps protect vehicle doors from parking lot dings while attractively blending with the lines of the car.



Crossbar Set – Fixed. Increase your Legacy's cargo-carrying capabilities by adding a crossbar set. These fixed-style crossbars can be installed or removed in minutes. May be used in conjunction with Genuine Subaru roof attachments and carriers. Total roof load weight limit of 88 lbs.



Auto-Dimming Exterior Mirrors with Approach Light. When you approach the vehicle or unlock the doors with the keyless entry system, LED lights in each exterior mirror illuminate the ground next to and towards the rear of the vehicle. During nighttime driving, the Auto-Dimming Exterior Mirrors dim in unison with the Auto-Dimming (Interior) Mirror when glare is detected. Requires Auto-Dimming (Interior) Mirror.



Cargo Net. Neatly holds cargo upright and helps prevent it from sliding while the vehicle is in motion.



Footwell Illumination Kit. Light the dark corners of the front floor area while enhancing interior ambiance. Easy-to-install LED lights provide a soft white glow that brightens and dims in conjunction with the vehicle's other interior lighting.



Rear Seatback Protector. Provides additional protection to the rear seatbacks when lowering the seats to transport larger cargo. Use in conjunction with the Cargo Tray.



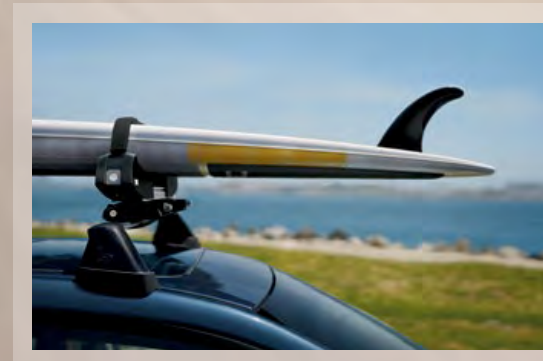
All-Weather Floor Liners. Custom-fitted, high wall design floor liners help protect carpet from accidental spills, snow, sand, mud, dirt and moisture. All-Weather Floor Liners are precision-engineered to ensure a precise fit and withstand a series of functional and durability evaluations to help ensure the liners will not warp, fade or tear. Not intended for use on top of Carpeted Floor Mats.

For a complete list of available accessories, visit your local Subaru retailer or visit www.subaru.com



A new view on what you can carry.

Subaru owners like to spend as much time outside as they can—within city limits and beyond. Genuine Subaru active lifestyle accessory attachments manufactured by Thule® are a smart way to securely transport gear with your Legacy, so you can go biking, paddleboarding, skiing and snowboarding while still enjoying the maneuverability of a mid-sized car. A variety of carriers are available, so you can indulge your passion, whatever it might be.



Thule® Paddleboard Carrier



Thule® Ski and Snowboard Carrier



Thule® Cargo Carrier

2025 Legacy | Owner Benefits

For additional Subaru resources, including owner's manuals, maintenance schedules, roadside assistance and more, log on to www.mysubaru.com

Protecting Your Investment

Once you're part of our family, we'll be there for you. Every Subaru comes with 24-hour roadside assistance for 3 years or 36,000 miles. And to protect you over the long haul, we offer Added Security®, which helps protect your car for up to 10 years or 100,000 miles with extended service agreements and maintenance plans backed by Subaru. And because we've been backing them for more than 30 years, they're agreements you can trust. Your retailer has full coverage details.



More Than a Car Company®.



For us, love is about the commitments we make. The Subaru Love Promise® is our vision to show love and respect to all people and the planet we all share. Subaru is headquartered in a zero-landfill office in Camden, N.J., and in 2004, Subaru of Indiana Automotive, Inc. (SIA) became the first manufacturing facility in the U.S. to reach zero-landfill status—nothing from its manufacturing efforts ever goes into a landfill.

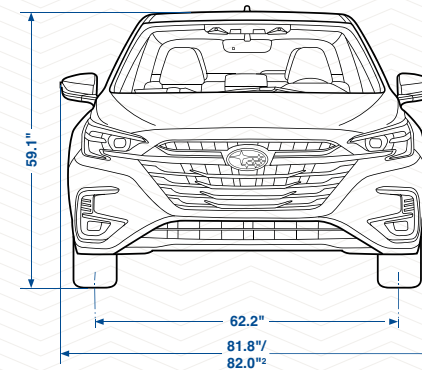
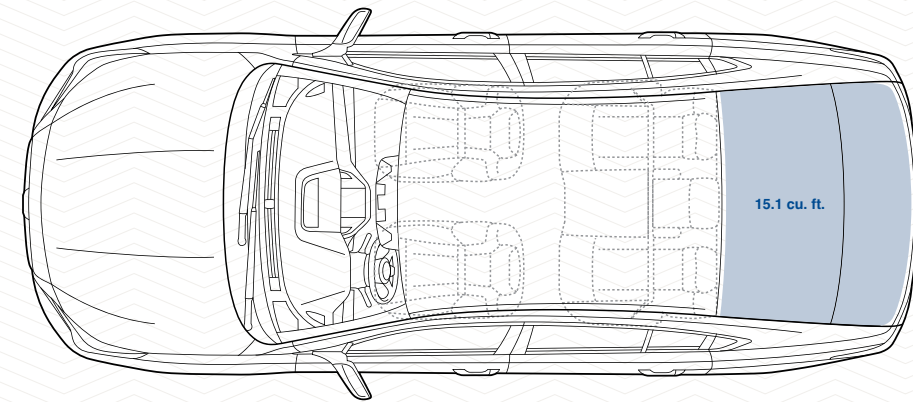
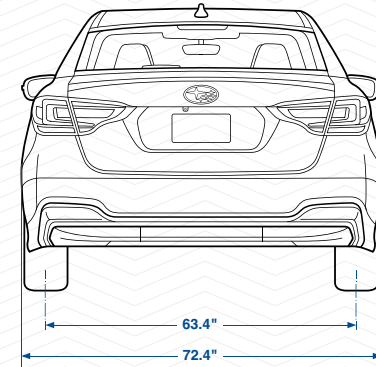
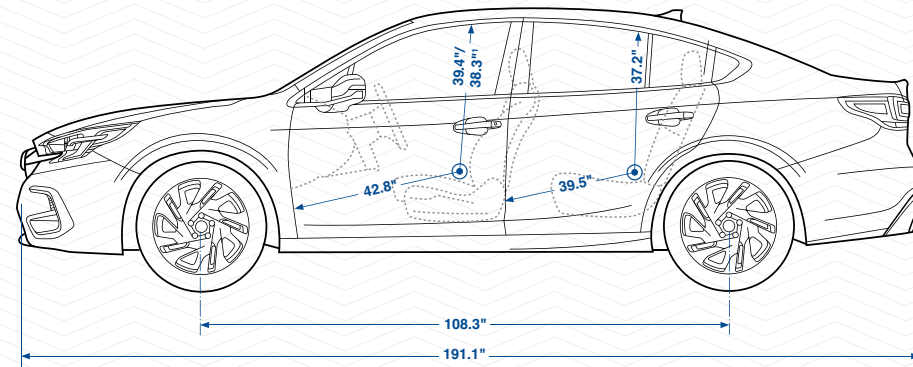


Warranties

New Car Limited Warranty	3 years or 36,000 miles, whichever comes first.	
Powertrain Limited Warranty	5 years or 60,000 miles, whichever comes first.	
Wear Item Limited Warranty	3 years or 36,000 miles, whichever comes first. Repairs to the following items will also be covered under Wear Item Limited Warranty:	<ul style="list-style-type: none"> • Brake Pads • Wiper Blades • Transmitter Batteries
Rust Perforation Limited Warranty	5 years, unlimited mileage.	
24-hour Roadside Assistance	3 years or 36,000 miles, whichever comes first.	

¹ All SiriusXM services require a subscription, sold separately by SiriusXM after the trial period. Your SiriusXM service will automatically stop at the end of your trial unless you decide to subscribe. If you decide to continue service after the trial, the subscription plan chosen will automatically renew and be charged according to your chosen payment method at the then-current rates. Fees and taxes apply. See the SiriusXM Customer Agreement & Privacy Policy at www.siriusxm.com for full terms and how to cancel, which includes online methods or calling 1-866-635-2349. Available in the 48 contiguous United States, D.C., and Puerto Rico (with coverage limits and capable receiver). Visit www.siriusxm.com/FAQS for most current service area information. Availability of some services and features is subject to device capabilities and location restrictions. All fees, content and features are subject to change. SiriusXM, SiriusXM Traffic, SiriusXM Travel Link® and all related logos are trademarks of Sirius XM Radio Inc. and its respective subsidiaries. Other marks, channel names and logos are the property of their respective owners. All rights reserved. SiriusXM with 360L: Certain features and/or content may not be available unless an active data connection is enabled in the vehicle. Content varies by SiriusXM subscription. Features may vary by make/model. ² EyeSight is a driver assist technology, which may not operate optimally under all driving conditions. The driver is always responsible for safe and attentive driving. System effectiveness depends on many factors such as vehicle maintenance, weather and road conditions. The Pre-Collision Braking System is designed to provide automatic braking that either prevents a collision or reduces the severity of a frontal impact. Pre-Collision Throttle Management is designed to reduce acceleration and minimize the severity of certain frontal impacts. Advanced Adaptive Cruise Control, Brake Light Recognition and Automatic Emergency Steering are designed to assist the driver and are not substitutes for safe and attentive driving. Automatic Emergency Steering availability varies by trim level and works in conjunction with and after Pre-Collision Braking has been activated by providing steering support at speeds lower than 50 mph to try and help avoid a collision. Lane centering function operates only when used in conjunction with Advanced Adaptive Cruise Control. The Lane Departure and Sway Warning operates only when the lane markings are visible, and its effectiveness depends on many factors. See your Owner's Manual for complete details on system operation and limitations. ³ The Supplemental Restraint System (SRS) (airbags) affords the driver and the front passenger additional protection in moderate to severe frontal and side-impact collisions and outboard 2nd-row passengers additional protection in moderate to severe side-impact collisions. This system provides supplemental protection only, and seatbelts must be worn in order to avoid injuries to out-of-position occupants upon airbag deployment and to provide the best combined protection in a serious accident. Children should always be properly restrained in one of the rear seats. See your Owner's Manual for recommended seating position. ⁴ Activation and subscription required. Internet access is purchased separately through AT&T with monthly, per gigabyte, and unlimited data options available. Existing AT&T customers have the option to add a line to their AT&T Mobile Share plan. See your Subaru retailer for details. ⁵ Activation with subscription required. Includes a 3-year trial subscription to STARLINK Safety Plus services and a 6-month trial subscription to STARLINK Safety and Security Plus services. The Concierge plan can be purchased annually or monthly. A credit card on file will be required for specific packages and for renewal purposes. Not available in all states. See your Subaru retailer for details. ⁶ Requires Keyless Access with Push-Button Start. Not available in all states. See your Subaru retailer for details. ⁷ Blind-Spot Detection, Lane Change Assist and Rear Cross-Traffic Alert are systems designed to assist the driver by monitoring the rear and side areas of the vehicle during a lane change or reversing and are not a substitute for safe and attentive driving. ⁸ Activation and monthly subscription sold separately. Includes 3-year trial subscription. See your Subaru retailer for details. ⁹ The Reverse Automatic Braking System is not a substitute for safe and attentive driving. System effectiveness depends on many factors, such as vehicle maintenance, weather and road conditions. Always exercise caution and use vehicle mirrors and the Rear-Vision Camera when backing up. See your Owner's Manual for complete details on system operation and limitations. ¹⁰ DriverFocus Distraction Mitigation System is a driver recognition technology designed to alert drivers if their attention to the road wavers or if the driver's face appears to turn away. The driver is always responsible for safe and attentive driving. System effectiveness may be affected by articles of clothing worn on the head or face. See your Owner's Manual for complete details on system operation and limitations. ¹¹ 2025 EPA fuel economy estimates. Actual mileage may vary. ¹² Compared to all other measured mass-market automotive companies in the 2023 American Customer Satisfaction Index (ACSI®) surveys of customers rating their own automotive company's performance. The #1 Product Quality rating is shared with one other automotive company. ACSI and its logo are registered trademarks of the American Customer Satisfaction Index, LLC. ¹³ Based on Experian Automotive vehicles in operation vs. total new registrations for MY2014-2023 as of December 2023. ¹⁴ 2023 IntelliChoice 5-Year Cost of Ownership Study © 2024 MOTOR TREND GROUP, LLC. ¹⁵ The glass information listed represents calculated reference values and may not represent actual values determined by testing. ¹⁶ Available only with other features. See optional equipment listing on trims page.

2025 Legacy | Dimensions



Length	191.1 inches	Headroom (front/rear)	39.4 inches/37.2 inches (with available moonroof: 38.3 inches/37.2 inches)
Width	72.4 inches (81.8/82.0, ² including mirrors)	Legroom (front/rear)	42.8 inches/39.5 inches
Height	59.1 inches	Shoulder room (front/rear)	58.1 inches/57.4 inches
Wheelbase	108.3 inches	Hip room (front/rear)	55.5 inches/54.8 inches
Track (front/rear)	62.2 inches/63.4 inches	Passenger volume	105.5 cubic feet (with available moonroof: 104.0 cubic feet)
Base curb weight	Legacy: 3,492 lbs. Premium: 3,508 lbs. Limited: 3,618 lbs. Sport: 3,764 lbs. Touring XT: 3,787 lbs.	Trunk volume	15.1 cubic feet

¹ With available moonroof. Moonroof availability varies by trim level. ² With integrated turn signals.

Some images shown are for illustration purposes only. Specifications and imagery in this brochure are based on the latest product information available at the time of publication. Production models may vary. For the most up-to-date and detailed product information, log on to www.subaru.com. Some equipment shown in photography in this brochure is optional at extra cost. Specific options may be available only in combination with other options. Specific combinations of equipment or features may vary from time to time and by geographic area. Certain accessories and equipment may not be available at the time of publication. Subaru of America, Inc., reserves the right to change or discontinue at any time, without notice, prices, colors, materials, equipment, accessories, specifications, models and packages without incurring any obligation to make the same or similar changes on vehicles previously sold. Colors shown may vary due to reproduction and printing processes.

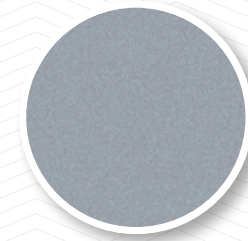
This brochure was prepared by Subaru of America, Inc. Every owner of the car during the warranty period shall be entitled to the benefit of these warranties. Subaru, SUBARU BOXER, SUBARU STARLINK, STARLINK, EyeSight, Lineartronic and SI-DRIVE are registered trademarks of Subaru Corporation. Added Security, DriverFocus, Love, It's what makes Subaru, Subaru, Love Promise, More Than a Car Company, Subaru Loves Learning, Subaru Loves Pets, Subaru Loves the Earth, Subaru Loves to Care and Subaru Loves to Help are registered trademarks of Subaru of America, Inc. ACSI® and its logo are registered trademarks of The American Customer Satisfaction Index, LLC. Android Auto™ is a trademark of Google LLC. Apple CarPlay® is a registered trademark of Apple Inc. Bluetooth® is a registered trademark of Bluetooth SIG, Inc. Experian® and its logo are registered trademarks of Experian Information Solutions, Inc. Forest Stewardship Council®, FSC® and the FSC® checkmark-and-tree logo are registered trademarks of Forest Stewardship Council AC. Harman Kardon® is a registered trademark of Harman International Industries, Inc. HomeLink® and the HomeLink house icon are registered trademarks of Genetex Corporation. Motor Trend® and IntelliChoice® are registered trademarks of Motor Trend Group, LLC. SiriusXM, SiriusXM Traffic, SiriusXM Travel Link® and all related logos are trademarks of Sirius XM Radio Inc. and its respective subsidiaries. Other marks, channel names and logos are the property of their respective owners. All rights reserved. Sleepypod® is a registered trademark of LaunchLab. Thule® is a registered trademark of the Thule Group. For more information, contact your Subaru retailer, or log on to www.subaru.com.

2025 Legacy | Colors

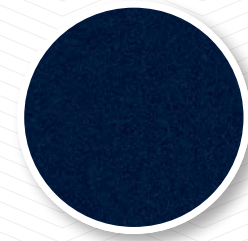
Paint



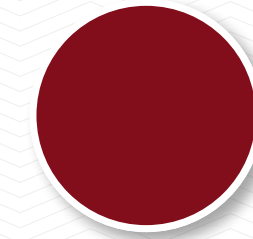
Crystal White Pearl



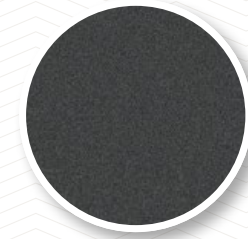
Ice Silver Metallic



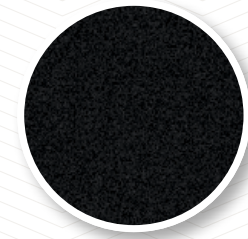
Cosmic Blue Pearl



Crimson Red Pearl



Magnetite Gray Metallic



Crystal Black Silica

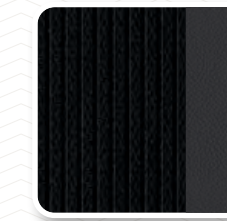
Upholstery



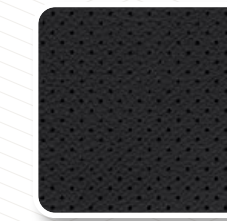
Slate Black Cloth (SBC)



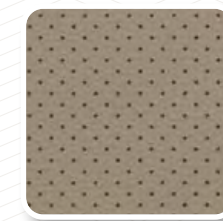
Titanium Gray Cloth (TGC)



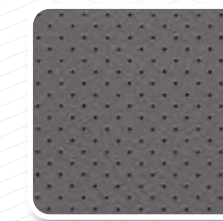
Two-Tone Black and Gray Cloth (TSC)



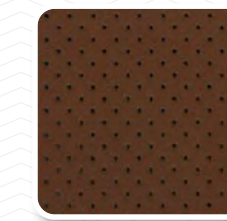
Slate Black Leather (SBL)



Warm Ivory Leather (WIL)



Titanium Gray Leather (TGL)



Java Brown Nappa Leather (JNL)



Slate Black Nappa Leather (SNL)

Color Combinations

	Legacy	Legacy Premium	Legacy Limited	Legacy Sport	Legacy Touring XT
Crystal White Pearl	SBC	SBC or TGC	SBL or WIL	TSC	JNL or SNL
Ice Silver Metallic	SBC	SBC or TGC	SBL or TGL	TSC	SNL
Cosmic Blue Pearl	SBC	SBC or TGC	SBL or TGL	TSC	JNL or SNL
Crimson Red Pearl	—	SBC	SBL or WIL	—	SNL
Magnetite Gray Metallic	SBC	SBC or TGC	SBL or TGL	TSC	JNL or SNL
Crystal Black Silica	SBC	SBC or TGC	SBL or WIL	TSC	JNL or SNL

— Not available



See 2025 models in action

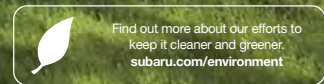


youtube.com/subaru

These brochures were printed with vegetable-based inks and produced using a "Green Printing Process." The Forest Stewardship Council® (FSC®) is an international organization that brings people together to find solutions which promote responsible stewardship of the world's forests and environments.

By producing these brochures in a green way rather than by traditional methods, we saved 17 trees preserved for the future; 3,000 gallons of wastewater flow saved; 40 lbs solid waste not generated; 10,000 lbs net greenhouse gases prevented; 8,000,000 BTUs energy not consumed. Calculations provided by Environmental Paper Network. FSC® is not responsible for any calculations on saving resources by choosing this paper.

This brochure is printed in the U.S.A. on 10% recycled paper. ©2024 Subaru of America, Inc. 25.LEGSRB.525 (DSGN-P677, 30K, 5/24, KSL)



Love. It's what makes Subaru, Subaru.®

