

2024 Solterra



The 2024 Subaru Solterra EV SUV. Love is now electric.





¹ Based on the number of safety technology features available in this model compared to other current and past Subaru vehicles. ² EyeSight Driver Assist Technologies may not operate optimally under all driving conditions. The driver is always responsible for safe and attentive driving. System effectiveness depends on many factors such as vehicle maintenance, weather and road conditions. See your Owner's Manual for complete details on system operation and limitations. ³ Traffic Jam Assist is not an automated driving system. Driving safely is solely the responsibility of the driver. Do not overly rely on this system and pay careful attention to the surrounding conditions in order to ensure safe driving. See your Owner's Manual for complete details on system operation and limitations. Traffic Jam Assist requires an active trial or subscription to Drive Connect. 4G network dependent. ⁴ Based on Experian Automotive non-luxury vehicles in operation vs. total new registrations for MY2014-2023 as of December 2023. ⁵ The DriverFocus Distraction Mitigation System is a driver recognition technology designed to alert drivers if their attention to the road wavers or if the driver's face appears to turn away. The driver is always responsible for safe and attentive driving. System effectiveness may be affected by articles of clothing worn on the head or face. See your Owner's Manual for complete details on system operation and limitations. ⁶ Front Cross-Traffic Alert is a system designed to assist the driver by monitoring the front and side areas of the vehicle to detect potential hazards that may not be visible from the driver's position and is not a substitute for safe and attentive driving. See your Owner's Manual for complete details on system operation and limitations. ⁷ Availability varies by trim level. See your Subaru retailer for details. ⁸ 2024 EPA MPGe estimates. 227 miles for Solterra Premium trim, and 222 miles for Solterra Limited and Touring trims. Actual mileage may vary. ⁹ Charge time based on 10% to 80% charge using a 100kW DC fast charger. Charge times can vary depending on many factors, including temperature, type of charging system and condition of the vehicle and battery. Frequent fast charging can permanently decrease battery capacity. MY23 DC fast-charging capability from low charge light to 80% in about 60 minutes. See your Owner's Manual for complete system operation and details. ¹⁰ Provided by Toyota™. Privacy Policy: www.toyota.com/privacyvts. Subscription required. Includes trial subscriptions to Safety Connect, Service Connect, Remote Connect and Wi-Fi Connect services. Limited and Touring trims include trial subscriptions to Drive Connect. Wi-Fi Connect services are purchased separately through AT&T. 4G network dependent. Visit the Solterra Connect webpage (www.subaru.com/vehicle-info/solterra-connect) for full details. ¹¹ Digital Key not compatible with all vehicle features and functionality. See your Owner's Manual for full details. Remote Connect subscription required; includes 1-year trial subscription. 4G network dependent. Availability varies by trim level.

Solterra Touring in Harbor Mist Gray Pearl.

Adventure innovated.

Meet the newly improved 2024 Solterra.

It's all-electric, the first Subaru SUV of its kind. But make no mistake, the 2024 Solterra is a Subaru, first and foremost. That means you can expect capable engineering, versatile space and the latest advancements in keeping you safe. Now with improved charge time, even in extreme cold weather, the Solterra isn't just any battery-powered SUV, it's the one that can power your next adventure.



**Adventurous
& Versatile**

There are other electric SUVs, but only the Solterra has standard Subaru Symmetrical All-Wheel Drive. This is paired with the smooth, linear output of dual electric motors, delivering impressive torque on demand, thanks to the intelligent design of Subaru StarDrive® technology. With X-MODE®, Grip Control and a class-leading 8.3 inches of ground clearance, the Solterra is ready for whatever comes with the terrain.



**Safe &
Trusted**

The 2024 Solterra is our most advanced vehicle to date and offers more driver assist technologies than any other Subaru,¹ including EyeSight® Driver Assist Technologies,² now with Lane Change Assist and hands-free driving capabilities.³ It's built on the strong e-Subaru Global Platform and engineered to our high standards of longevity and safety—all reasons why Subaru has the longest-lasting vehicles in the automotive industry.⁴ Plus, there are newly added safety technologies like the DriverFocus® Distraction Mitigation System⁵ and Front Cross-Traffic Alert.⁶ For even more peace of mind, there's also an available 360-degree surround-view camera system.⁷



Eco-Friendly

Up to 227 miles of EV range with the capability of standard AWD feels good.⁸ Zero emissions feel even better. And when you're able to charge at home overnight, it's like starting every day with a "full tank." The newly enhanced built-in fast-charging capability of the Solterra now allows you to charge in nearly half the time, achieving a 10% to 80% charge in about 35 minutes.⁹ But for us, innovation isn't just about making cars—it's about making an impact. That's why Subaru is the largest corporate donor of the National Park Foundation and has provided over \$70 million to organizations working to conserve our parks.



**Intuitive &
Comfortable**

The spacious, well-connected Solterra caters to trips of all sizes. With standard wireless Apple CarPlay® and Android Auto™ integration, you can easily access your music and apps cord-free. Vehicle information is laid out right in front of you on a full LCD instrument cluster and an available 12.3-inch Subaru Multimedia display.⁷ For even more convenience, the Subaru Solterra Connect™ app¹⁰ lets you remotely turn on and adjust your climate controls, check the charging status and even set up your phone to use it as a Digital Key.¹¹

All-electric goes all places.

Both versatile and capable, with standard Subaru Symmetrical All-Wheel Drive and 8.3 inches of ground clearance, the Solterra can add to your list of possible destinations. Delivering a capable 249 lb-ft of torque, its dual electric motors create a noticeably smooth, linear output. To take on steep, slippery terrain, there's standard dual-function X-MODE with hill descent assist. And to handle your gear, there's up to 23.8 cu. ft. of cargo volume,¹ along with a 60/40 split-folding rear seatback for the adventures that demand even more room. Loading is simplified by a low load-in height, wide rear gate opening, and roof rails with cross bar mounting points. Plus, you can opt for a power rear gate² for even greater ease when it's time to pack up.



63.5 cubic feet of cargo space³



Dual-function X-MODE



© 2024 Solterra

¹ With rear seatback raised. Cargo capacity varies by cargo floor height. ² Availability varies by trim level. See your Subaru retailer for details. ³ With rear seatback lowered. Cargo capacity varies by cargo floor height.

An extra set of eyes every time you drive.

Now with the added capabilities of Lane Change Assist, hands-free driving at speeds up to 25 mph and the ability to resume driving automatically once traffic starts moving,¹ the 2024 Solterra is our most advanced vehicle to date, equipped with more EyeSight Driver Assist Technologies than ever before.²



The 2024 Subaru Solterra is an **IIHS TOP SAFETY PICK** and a NHTSA 5-Star Overall Vehicle Score winner.³



Solterra Touring in Harbor Mist Gray Pearl.



Emergency Steering Assist

Emergency Steering Assist can provide automatic steering and pre-collision braking support if it senses potential danger ahead and determines there's enough space to intervene.



Pre-Collision System

A driver ahead unexpectedly hits the brakes or cuts you off. The Pre-Collision System warns you, applies brakes to help avoid impact and, at lower speeds, can even help you stop your Solterra.



Dynamic Radar Cruise Control with Lane Tracing Assist

Automatically helps keep you centered in your lane at a safe distance behind the car in front of you—even in traffic and around curves. This system now includes Lane Change Assist, hands-free driving at lower speeds and the ability to resume driving automatically once traffic starts moving again.¹



Acceleration Suppression at Low Speed

This system reduces accelerator sensitivity to help you avoid accidentally accelerating into the car in front of you while merging or if you unintentionally put your Solterra in drive instead of reverse.



Lane Departure Alert

You accidentally drift to the edge of your lane and begin to cross into another. Lane Departure Alert watches for lane markers and can alert you with visual and audible warnings before you leave your lane. It can even help steer you back into your proper course.

¹ Traffic Jam Assist is not an automated driving system. Driving safely is solely the responsibility of the driver. Do not overly rely on this system and pay careful attention to the surrounding conditions in order to ensure safe driving. See your Owner's Manual for complete details on system operation and limitations. Traffic Jam Assist requires an active trial or subscription to Drive Connect. 4G network dependent. ² EyeSight Driver Assist Technologies may not operate optimally under all driving conditions. The driver is always responsible for safe and attentive driving. System effectiveness depends on many factors such as vehicle maintenance, weather and road conditions. See your Owner's Manual for complete details on system operation and limitations. ³ Government 5-Star Safety Ratings are part of the National Highway Traffic Safety Administration's (NHTSA's) New Car Assessment Program (www.NHTSA.gov).

Peace of mind is possible.

We gave the Solterra our latest advancements in safety, from its technologies to its body structure. It's built on the strong e-Subaru Global Platform with strategically placed crumple zones to help protect you and your passengers. Smartly designed systems like Safe Exit Assist,¹ Parking Support Brake² and a 360-degree surround-view camera offer extra reassurance.³ Plus, a host of active safety systems are available to help provide better all-around awareness.



Every day in the U.S., more than 1,000 people are injured in crashes reported to have involved a distracted driver.⁵ As an industry leader in safety, Subaru developed the DriverFocus Distraction Mitigation System,⁶ one of the first technologies of its kind. Engineered for both new and experienced drivers, it works together with EyeSight to help detect distracted or drowsy driving. If the driver's attention strays from the road for too long, DriverFocus can deliver visual and auditory alerts to bring attention back to the road.

Solterra Touring in Harbor Mist Gray Pearl.



Blind-Spot Monitor

Using radar sensors, Blind-Spot Monitor⁴ warns you with a visual indicator on your exterior mirror if it senses a vehicle in your blind spot. This system also alerts you with a flashing indicator on your exterior mirror if it senses a vehicle approaching at a higher speed in a neighboring lane and you signal for a lane change.



Front and Rear Cross-Traffic Alert

The Front and Rear Cross-Traffic Alert⁴ systems use radar sensors to help warn you of traffic approaching from the side. When backing up, alerts include an audible warning and flashing visual indicators on your exterior mirror and camera display. When driving forward, alerts include an audible warning and visual indicators on your gauge display.



Parking Support Brake

Parking Support Brake² can detect objects directly behind your vehicle when backing up at a low speed and can help bring the Solterra to a stop if it detects an object within its range and the brakes have yet to be applied. There's also the rear-vision camera to help you keep an eye out. Plus, Parking Support Brake is available with pedestrian detection³ for even greater peace of mind.



Safe Exit Assist

After you park the Solterra, Safe Exit Assist¹ can help avoid a potential door-opening accident by detecting approaching vehicles or moving objects and delivering an initial alert on the mirror. This is followed by additional visual and auditory alerts if you begin to open your door.

1 Safe Exit Assist will not prevent the door from opening and is not a substitute for safe, attentive exiting. See your Owner's Manual for complete details on system operation and limitations. 2 Parking Support Brake and Parking Support Brake with Pedestrian Detection are not substitutes for safe and attentive driving. System effectiveness depends on many factors, such as vehicle maintenance, pedestrian speed, weather and road conditions. Always exercise caution and use vehicle mirrors and the rear-vision camera when backing up. See your Owner's Manual for complete details on system operation and limitations. 3 Availability varies by trim level. See your Subaru retailer for details. 4 Blind-Spot Monitor, Front Cross-Traffic Alert and Rear Cross-Traffic Alert are systems designed to assist the driver by monitoring the front, rear and side areas of the vehicle to detect potential hazards that may not be visible from the driver's position and are not a substitute for safe and attentive driving. See your Owner's Manual for complete details on system operation and limitations. 5 Centers for Disease Control and Prevention, citing National Center for Statistics and Analysis. Distracted Driving: 2015, in Traffic Safety Research Notes. DOT HS 812 381. March 2017, National Highway Traffic Safety Administration: Washington, D.C. 6 The DriverFocus Distraction Mitigation System is a driver recognition technology designed to alert drivers if their attention to the road wavers or if the driver's face appears to turn away. The driver is always responsible for safe and attentive driving. System effectiveness may be affected by articles of clothing worn on the head or face. See your Owner's Manual for complete details on system operation and limitations.

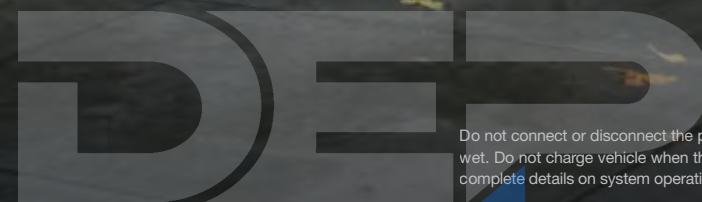


Doing your part is simpler than you think.

Fast charging just got faster.

With its improved built-in fast-charging capability, the 2024 Solterra can now be charged about twice as fast as the previous model, achieving a 10% to 80% charge in about 35 minutes.¹ In extreme cold temperatures, there's also significant improvement—up to four times faster charging at 14° F.² Its lithium-ion battery offers up to 227 miles of driving range,³ along with the flexibility of AC/DC charging options, so you can charge your Solterra at the office, on the go, or at home overnight—just like you do with your phone. Plugging in at home is easy, and our partners at Qmerit can provide expert home charger installation. With Subaru StarDrive technology, you also have options tailored to your driving experience, including paddle shifter-adjustable regenerative braking, Power and Eco modes, plus S-Pedal Drive⁴—with additional regenerative braking power to help reduce the fatigue of switching between the accelerator and brake pedals.

Solterra Limited in Smoked Carbon.



Do not connect or disconnect the plug if your hands are wet, and do not get the plug or outlet wet. Do not charge vehicle when there is possibility of lightning. See your Owner's Manual for complete details on system operation and limitations.

¹ Charge time varies based on vehicle level of charge, charging rate, ambient temperature and many other factors. MY23 DC fast-charging capability 10% to 80% in about 60 minutes. ² Comparing initial MY23 Solterra cold weather charging speed without over-the-air updates to MY24 Solterra cold weather charging speed. ³ 2024 EPA MPGe estimates. 227 miles for Solterra Premium trim, and 222 miles for Solterra Limited and Touring trims. Actual mileage may vary. ⁴ S-Pedal is not a substitute for safe and attentive driving. The driver must press the brake pedal to come to a complete stop. See your Owner's Manual for complete details on system operation and limitations.

Find quality time
anywhere.

If the journey is long, the Solterra helps it go by smoothly. Its interior welcomes you with up to 95.7 cu. ft. of passenger space¹ that's strategically optimized to convey an open feel with a nearly flat floor and generous rear-seat legroom. You can also opt for a glass roof, easy-to-clean StarTex[®] upholstery,² heated and ventilated front seats,² heated rear seats,² a heated steering wheel, and a new 8-way power-adjustable front passenger seat.² For everyone's enjoyment, an available 11-speaker, 576-watt-equivalent Harman Kardon[®] premium audio system² delivers crisp, clear sound.



Panoramic glass roof²



Heated rear seats² and USB-C ports



Harman Kardon[®] premium audio system²

¹ Interior volume varies by trim level and load floor height. Touring trim level shown, interior volume: 94.4 cu. ft. See your Subaru retailer for details. ² Availability varies by trim level. See your Subaru retailer for details.

DEP



Solterra Touring with Gray and Blue StarTex.

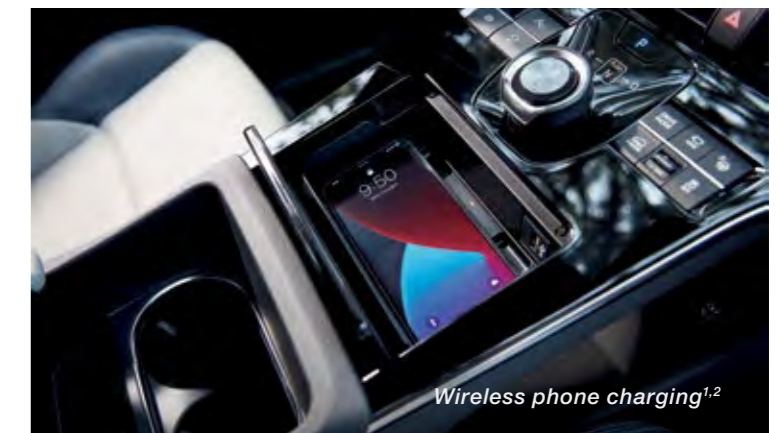
1 Availability varies by trim level. See your Subaru retailer for details. 2 Qi wireless charging may not be compatible with all mobile devices. When using the wireless charging system, avoid placing metal objects between the wireless charger and the mobile device when charging is active. Doing so may cause metal objects to become hot and could cause burns. 3 Digital Key not compatible with all vehicle features and functionality. See your Owner's Manual for full details. Remote Connect subscription required, includes 1-year trial subscription. 4G network dependent. Availability varies by trim level. See your Subaru retailer for details. 4 Drive Connect subscription required; Limited and Touring trims include 1-year trial subscription. 4G network dependent. See your Subaru retailer for details. 5 Wi-Fi Connect subscription required; includes 30-day or up to 3 GB trial subscription for Wi-Fi hot spot. Wi-Fi Connect services are purchased separately through AT&T. 4G network dependent. See your Subaru retailer for details. 6 Provided by Toyota™. Privacy Policy: www.toyota.com/privacyvts. Subscription required. Includes trial subscriptions to Safety Connect, Service Connect, Remote Connect and Wi-Fi Connect services. Limited and Touring trims include trial subscriptions to Drive Connect. Wi-Fi Connect services are purchased separately through AT&T. See your Subaru retailer for details. 4G network dependent. Visit the Solterra Connect webpage (www.subaru.com/vehicle-info/solterra-connect) for full details.

Tech without the learning curve.

Intuitive designs keep you connected in the Solterra. Standard wireless Apple CarPlay® and Android Auto™ integration lets you access your music and apps. And with thoughtful conveniences, you can charge your smartphone wirelessly^{1,2} or even use it as your key.^{1,3} Important vehicle information is readily available on a full LCD instrument cluster and the available 12.3-inch Subaru Multimedia display.¹ If it's time to recharge your Solterra, your Subaru Multimedia system can help provide directions to the nearest charging station.⁴ There's even an available voice-activated "Hey Subaru" Intelligent Assistant,⁴ along with built-in Wi-Fi capability⁵ to keep you in command of your trip. Plus, with the Subaru Solterra Connect app,⁶ you can access available features that allow you to control the vehicle temperature, lock and unlock your doors, check your vehicle charge status and more.



Wireless Apple CarPlay® and Android Auto™



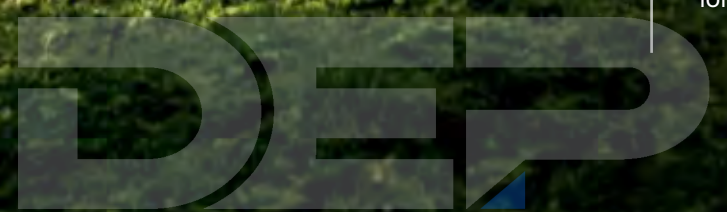
Wireless phone charging^{1,2}



15 | 2024 Solterra

Only a Subaru is **engineered like a Subaru.**

Confidence and capability are at the core of every Subaru, and the Solterra is no different. It's engineered to provide consistent traction in almost any condition, thanks to Subaru Symmetrical All-Wheel Drive. And it's built on a rigid body structure—a hallmark of Subaru vehicles—that offers better handling, control and comfort. These are all reasons why Subaru has the longest-lasting vehicles in the automotive industry.¹



Solterra Touring in Harbor Mist Gray Pearl.

¹ Based on Experian Automotive non-luxury vehicles in operation vs. total new registrations for MY2014-2023 as of December 2023.



The 2024 Subaru Solterra is an IIHS **TOP SAFETY PICK**.



96% of Subaru vehicles sold in the last 10 years are still on the road today.¹

2024 Solterra | Trim Levels



Solterra Premium

- Subaru StarDrive all-electric drivetrain with 215 hp and 249 lb-ft of torque
- Subaru Symmetrical All-Wheel Drive
- Paddle shifter-controlled regenerative braking: 4-mode
- S-Pedal Drive one-pedal driving system⁵
- Drive mode select system with ECO, Normal and Power modes
- Dual-function X-MODE with Grip Control
- 8.3 inches of ground clearance
- Auto-on/off multi-beam LED Headlights with Automatic High Beam
- 18-inch aluminum-alloy wheels with black and silver finish aerodynamic wheel covers
- Heated exterior mirrors
- Roof rails
- Privacy glass
- Drag-reducing rear lip spoiler
- Keyless Entry with Push-Button Start
- Cloth upholstery
- 6-way manually adjustable driver and front-passenger seats
- 3-level heated front seats with auto mode
- Leather-wrapped steering wheel with integrated controls
- 8.0-inch Subaru Multimedia with cloud-based navigation,⁶ wireless Apple CarPlay[®] and Android Auto[™] integration, Apple Music and Amazon Music integration,⁷ SiriusXM[®] with 4-month trial subscription, dual illuminated USB-C input ports, USB-A input port, 6 speakers, AM/FM stereo, Bluetooth[®] audio streaming and hands-free phone connectivity
- Wi-Fi Connect capability⁹
- 7.0-inch LCD instrument cluster
- Dual-zone automatic climate control system with air filtration, ECO mode and key fob activation
- One-touch interior illumination
- 12 cup and bottle holders
- Auto-up/down power windows front and rear
- Automatic anti-glare rearview mirror
- 60/40 split-folding and reclining rear seatback
- 4 tie-down hooks and 2 grocery bag hooks
- Dual illuminated USB-C rear seat charge ports
- EyeSight Driver Assist Technologies¹⁰: Pre-Collision System with Pre-Collision Braking, Acceleration Suppression at Low Speed, Emergency Steering Assist, Lane Departure Alert with Lane Departure Prevention, Dynamic Radar Cruise Control with Lane Tracing Assist, Lane Change Assist, hands-free driving at lower speeds and automatic vehicle resume capabilities¹¹
- Blind-Spot Monitor¹²
- Front and Rear Cross-Traffic Alert¹²
- Safe Exit Assist¹³
- Parking Support Brake¹⁴
- Subaru Solterra Connect enabled¹⁵: Automatic Collision Notification, SOS Emergency Assistance, Enhanced Roadside Assistance, Vehicle Health Report, Vehicle Charge Status, Remote Climate Control, Remote Lock/Unlock and more
- Subaru Parking Assist: Includes front and rear parking sensors and rear camera with washer
- 8 airbags (SRS)¹⁶: dual-stage deployment driver and front-passenger, driver and front-passenger knee, front and rear outboard occupant side curtain with rollover sensor, and seat-mounted front side impact
- Whiplash-reducing front seats with height-adjustable head restraints
- Height-adjustable 3-point front seatbelts with dual pretensioners and load limiters and 3-point seatbelts for all rear seating positions, outboard with single pretensioner and load limiter
- Front/rear passenger seatbelt warning light/chime, rear-seat reminder and child-safety rear door locks
- LATCH system: Lower Anchors and Tethers for Children



Subaru. Forbes' #1 automotive brand for **social impact**.²



Solterra Limited

Includes Solterra Premium key features and adds:

- 20-inch aluminum-alloy wheels, gray with machine finish and silver finish spoke inserts
- LED fog lights
- Body-color split-design roof spoiler
- Power rear gate with height memory and vehicle lock button
- Power-folding exterior mirrors with integrated turn signals and foot lighting
- Automatic tilt-down passenger-side mirror
- Perforated StarTex-trimmed upholstery
- 10-way power-adjustable driver seat with lumbar support, 8-way power-adjustable front-passenger seat
- Two-position memory driver seat and exterior mirrors
- 3-level 360-degree heated steering wheel with auto mode
- 3-level heated outboard rear seats
- 12.3-inch Subaru Multimedia with cloud-based navigation,⁶ wireless Apple CarPlay[®] and Android Auto[™] integration, Apple Music and Amazon Music integration,⁷ SiriusXM[®] with 4-month trial subscription, dual illuminated USB-C input ports, USB-A port, AM/FM stereo, Bluetooth[®] audio streaming and hands-free phone connectivity
- Harman Kardon[®] 576-watt-equivalent premium audio system with 11 speakers
- Qi[®] wireless smartphone charging pad¹⁷
- Digital Key^{15,18}
- Panoramic View Monitor 360-degree camera system
- Advanced Park driver parking assistance¹⁹
- Parking Support Brake with pedestrian detection¹⁴
- Rain-sensing windshield wipers
- Automatic anti-glare rearview mirror with HomeLink[®]



Solterra Touring

Includes Solterra Limited key features and adds:

- Mono- and two-tone exterior paint schemes²⁰
- Gloss black hood insert, B-pillar and rear-door finish panels
- Panoramic glass roof with power sunshade
- Keyless Entry (all doors)
- 3-level ventilated front seats with auto mode
- Digital rearview mirror with HomeLink[®]
- Front and rear interior ambient lighting, doors and footwells
- Retractable cargo-area cover



Subaru is rated #1 in **product quality** for three years running.³



Subaru is rated #1 in **safety** for four years running.³



Subaru. **Lowest Cost of Ownership** for three years in a row, according to IntelliChoice.⁴



Information current at time of printing. Visit www.subaru.com for the most up-to-date product information.

2024 Solterra | Specifications

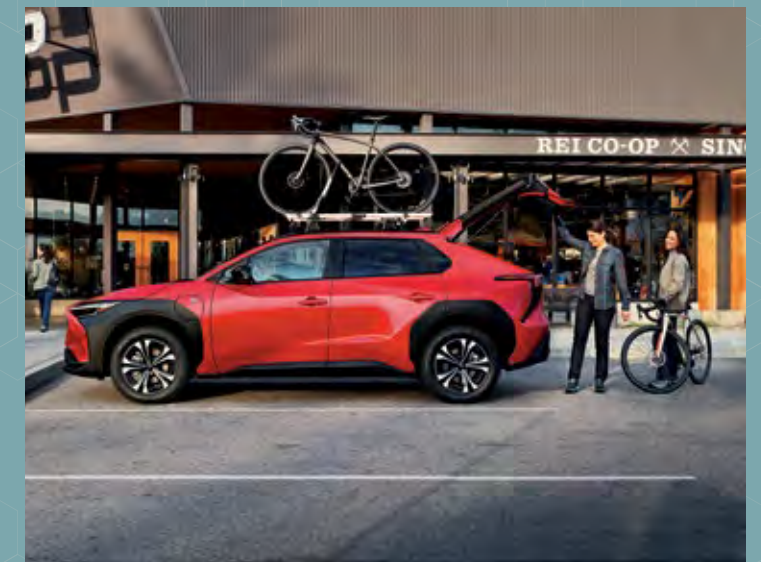
Electric Motor and Drivetrain		Solterra
Motor Combined Power Torque	Dual 80kW permanent magnet AC synchronous electric motors with integrated transaxles and power inverters. 215 hp 249 lb-ft	●
Traction and Stability		
X-MODE	X-MODE optimizes electric motor output and transmission ratio, increases all-wheel drive system engagement and uses enhanced control of the VSC system to reduce or increase individual wheelspin, providing optimal traction on various types of terrain and low-friction surfaces. Dual-mode system with Snow/Dirt and Deep Snow/Mud modes.	●
Downhill Assist Control (DAC)	X-MODE also incorporates Downhill Assist Control that helps to maintain a constant vehicle speed when traveling downhill, enhancing vehicle control.	●
Grip Control	X-MODE also incorporates Grip Control to help determine road surface characteristics on level, inclining and declining rough roads, maintaining a constant speed to help prevent slippage.	●
Active Cornering Assist (ACA)	Active Cornering Assist works in tandem with VSC applying braking power to the inside wheels, resulting in sharper turn-in, more neutral steering and higher cornering limits when turning.	●
Brake Hold (BH)	Brake Hold helps to reduce driver fatigue by holding the vehicle in place when the vehicle is stopped, after the brake pedal has been released. Utilizing VSC and the Electronic Parking Brake, Brake Hold can hold the vehicle stationary on level, decline or incline surfaces.	●
High Voltage Battery		
MPGe	city/highway/combined ²¹ Solterra Premium: 114/94/104 Solterra Limited and Solterra Touring: 111/93/102	●
Range	Solterra Premium: 227 miles Solterra Limited and Solterra Touring: 222 miles	●

● Standard ○ Optional — Not equipped

2024 Solterra | Specifications

High Voltage Battery (continued)		Solterra
Capacity	72.8 kWh	●
Level 2 Charging Max Speed	6.6 kW	●
6.6 kW charging time (hr.) (Level 2: 240V at 32A)²²	9.5	●
DC Fast Charging Max Speed	100 kW	●
Chassis		
Steering	Adaptive Electric Power-assisted Rack-and-Pinion Steering (EPAS). Turning circle: 36.7 feet.	●
Suspension	Front: Strut type with internal rebound spring. Steel lower L-arm. Stabilizer bar. Rear: Double-wishbone. Shock absorber with internal rebound spring. Stabilizer bar.	●
Brakes	4-wheel ventilated disc ABS with Electronic Brake-force Distribution (EBD)	●
Brake Override System	If both brake and accelerator pedals are pressed simultaneously, the system reduces the operation of the accelerator pedal to help prevent unintentional vehicle acceleration.	●

Some images shown are for illustration purposes only. Specifications and imagery in this brochure are based on the latest product information available at the time of publication. Production models may vary. For the most up-to-date and detailed product information, log on to www.subaru.com. Some equipment shown in photography in this brochure is optional at extra cost. Specific options may be available only in combination with other options. Specific combinations of equipment or features may vary from time to time and by geographic area. Certain accessories and equipment may not be available at the time of publication. Subaru of America, Inc., reserves the right to change or discontinue at any time, without notice, prices, colors, materials, equipment, accessories, specifications, models and packages without incurring any obligation to make the same or similar changes on vehicles previously sold. Colors shown may vary due to reproduction and printing processes. This brochure was prepared by Subaru of America, Inc. A warranty from Subaru of America, Inc., is available only on cars sold to the first retail purchaser through an authorized Subaru retailer in the continental U.S. or Alaska. Every owner of the car during the warranty period shall be entitled to the benefit of these warranties. EyeSight, Subaru, Solterra and X-MODE are registered trademarks of SUBARU CORPORATION. Subaru Solterra Connect is a trademark of SUBARU CORPORATION. Added Security, Love. It's what makes Subaru, Subaru., Love Promise, More Than a Car Company, StarDrive, StarTex, Subaru Loves Learning, Subaru Loves Pets, Subaru Loves the Earth, Subaru Loves to Care and Subaru Loves to Help are registered trademarks of Subaru of America, Inc. Android Auto™ is a trademark of Google LLC. Apple and Apple CarPlay™ are registered trademarks of Apple Inc. ACSi® and its logo are registered trademarks of The American Customer Satisfaction Index, LLC. Bluetooth® is a registered trademark of Bluetooth SIG, Inc. Experian® and its logo are registered trademarks of Experian Information Solutions, Inc. Forbes® is a registered trademark of Forbes LLC. Forest Stewardship Council®, FSC® and the FSC® checkmark-and-tree logo are registered trademarks of Forest Stewardship Council AC. Harman Kardon® is a registered trademark of Harman International Industries, Inc. HD Radio® is a registered trademark of iBiquity Digital Corporation. HomeLink® and the HomeLink® house icon are registered trademarks of Gentex Corporation. IIHS™ is a trademark of the Insurance Institute for Highway Safety. Motor Trend® and IntelliChoice® are registered trademarks of Motor Trend Group, LLC. Qi® is a registered trademark of Wireless Power Consortium, Inc. SiriusXM, SiriusXM Traffic, SiriusXM Travel Link® and all related logos are trademarks of Sirius XM Radio Inc. and its respective subsidiaries. Other marks, channel names and logos are the property of their respective owners. All rights reserved. Thule® is a registered trademark of the Thule Group. Toyota™ is a trademark of the Toyota Motor Corporation. For more information, contact your Subaru retailer or log on to www.subaru.com.



2024 Solterra | Equipment

Exterior	Solterra Premium	Solterra Limited	Solterra Touring
LED fog lights	—	•	•
Power-folding exterior mirrors with integrated turn signals and foot lighting	—	•	•
Automatic tilt-down passenger exterior mirror	—	•	•
Split-design roof spoiler	—	•	•
Panoramic glass roof with power sunshade	—	—	•

Seating and Trim	Solterra Premium	Solterra Limited	Solterra Touring
6-way manually adjustable driver and front-passenger seat	•	—	—
10-way power-adjustable driver seat with power-adjustable lumbar support	—	•	•
8-way power-adjustable front-passenger seat	—	•	•
3-level heated outboard rear seats	—	•	•
3-level ventilated front seats with auto mode	—	—	•
3-level 360-degree heated steering wheel with auto mode	—	•	•

Convenience Features	Solterra Premium	Solterra Limited	Solterra Touring
Power rear gate with automatic close, height memory function and vehicle lock button	—	•	•
2-position memory driver seat and exterior mirrors	—	•	•
Rain-sensing wipers	—	•	•

• Standard — Not equipped □ Available retailer-installed accessory

2024 Solterra | Equipment

Convenience Features (continued)	Solterra Premium	Solterra Limited	Solterra Touring
Automatic anti-glare rearview mirror	•	—	—
Automatic anti-glare rearview mirror with HomeLink®	—	•	—
Digital rearview mirror with view position adjustment and HomeLink®	—	—	•
Retractable cargo-area cover	□	□	•

Audio System	Solterra Premium	Solterra Limited	Solterra Touring
8.0-inch Subaru Multimedia with cloud-based navigation, ⁶ wireless Apple CarPlay® and Android Auto™ integration, Apple Music and Amazon Music integration, ⁷ “Hey Subaru” Intelligent Assistant, ⁶ SiriusXM® with 4-month trial subscription, dual illuminated USB-C input ports, USB-A port, 6 speakers, AM/FM stereo, Bluetooth® audio streaming and hands-free phone connectivity	•	—	—
12.3-inch Subaru Multimedia with cloud-based navigation, ⁶ wireless Apple CarPlay® and Android Auto™ integration, Apple Music and Amazon Music integration, ⁷ “Hey Subaru” Intelligent Assistant, ⁶ SiriusXM® with 4-month trial subscription, dual illuminated USB-C input ports, USB-A port, AM/FM stereo, Bluetooth® audio streaming and hands-free phone connectivity	—	•	•
Harman Kardon® premium audio system with a 576-watt-equivalent amplifier and 11 speakers	—	•	•
Qi® wireless smartphone charging pad ¹⁷	—	•	•

Safety	Solterra Premium	Solterra Limited	Solterra Touring
Parking Support Brake (PKSB) ¹⁴	•	—	—
Parking Support Brake (PKSB) with pedestrian detection ¹⁴	—	•	•
Panoramic View Monitor 360-degree camera system	—	•	•





Body Side Molding. Attractive, color-matched moldings coordinate with the styling of the vehicle while helping to protect doors from unsightly dings.



Accessory Activity Mount. With its durable steel construction, the Accessory Activity Mount allows you to carry up to 100 lbs. of additional gear. It's also designed and tested to be an integral safety component as it replaced the vehicle's rear bumper beam.

The Activity Mount is not a trailer hitch and is not intended to tow a trailer.



Exterior Graphics – Side. Add a stylish touch to your Solterra with graphics for the lower door panels. The Exterior Graphics Kit is constructed of a durable black PVC film and features a silver Solterra logo.



Door Edge Guards. Help protect your door edges from dings and chips with custom-fit, body color-matched, stainless steel Door Edge Guards. They help preserve the appearance of your Subaru while seamlessly blending into the door design.



Cargo Cover. Keep items in the back out of sight with this fully retractable, maximum coverage compartment cover.



Cargo Net. Neatly holds cargo and prevents it from sliding while the vehicle is in motion.



Splash Guards. Helps protect vehicle paint finish from stones and road grime. Engineered to help reduce wind noise and aerodynamic drag. Splash Guards undergo a series of durability tests to help withstand weather and driving conditions. Set of four.



Cargo Tray. Helps protect the trunk area from sand, water, stains, dirt and other messes while providing a surface that helps reduce the shifting of cargo while driving.



Side Sill Plates – Illuminated. Stylish accents featuring the Solterra logo illuminate when the doors are opened. Engineered to stand up to everyday wear and tear to keep your doorframe safe from scratches and scuffs.



All-Weather Floor Liners. Custom-fitted, high wall design floor liners help protect the vehicle carpet from accidental spills, snow, sand, mud, dirt and moisture. All-Weather Floor Liners are precision-engineered to ensure a precise fit and withstand a series of functional and durability evaluations to help ensure the liners will not warp, fade or tear.



Carpeted Cargo Mat. Protect your vehicle's carpet while elevating the look of the cargo area. The custom-fitted, heavy-duty Carpeted Cargo Mat features an embroidered Solterra logo and an anti-skid back to hold it firmly in place.



Trunk Sill – Illuminated. The Illuminated Trunk Sill features the Subaru and Solterra logos in bright white lighting to add an attractive accent to the trunk sill's left and right upper surface. Lighting is activated when the hatch is opened and turns off when the hatch is closed. Engineered to stand up to everyday wear and tear and helps protect the upper surface from scratches and scuffs.



To take it all in, first you have to take it all.

When your passion is even bigger than your cargo area, Genuine Subaru Lifestyle Accessories manufactured by Thule® are a smart way to securely transport larger gear like bikes, skis, snowboards, kayaks, paddleboards and more. Each carrier safely attaches to your roof rack, and the available Thule® Portable Step can help you easily access everything.



Thule® Bike Carrier – Roof-Mounted



Thule® Heavy-Duty Roof Cargo Basket



2024 Solterra | Owner Benefits

For additional Subaru resources, including owner's manuals, maintenance schedules, roadside assistance and more, log on to www.mysubaru.com

Protecting Your Investment

Once you're part of our family, we'll be there for you. Every Subaru comes with 24-hour roadside assistance for 3 years or 36,000 miles. And to protect you over the long haul, we offer Added Security[®], which helps protect your car for up to 10 years or 100,000 miles with extended service agreements and maintenance plans backed by Subaru. And because we've been backing them for more than 30 years, they're agreements you can trust. Your retailer has full coverage details.



More Than a Car Company[®].



For us, love is about the commitments we make. The Subaru Love Promise[®] is our vision to show love and respect to all people and the planet we all share. Subaru is headquartered in a zero-landfill office in Camden, N.J., and in 2004, Subaru of Indiana Automotive, Inc. (SIA) became the first manufacturing facility in the U.S. to reach zero-landfill status—nothing from its manufacturing efforts ever goes into a landfill.

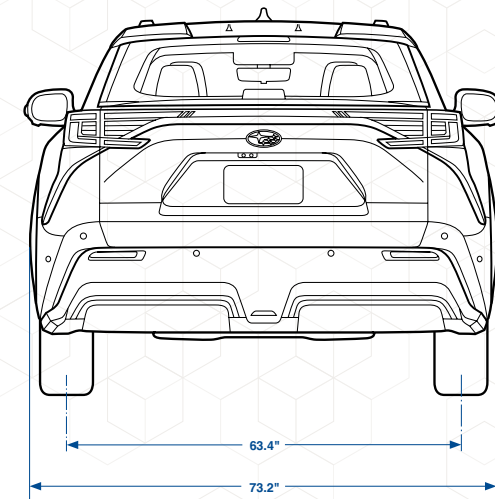
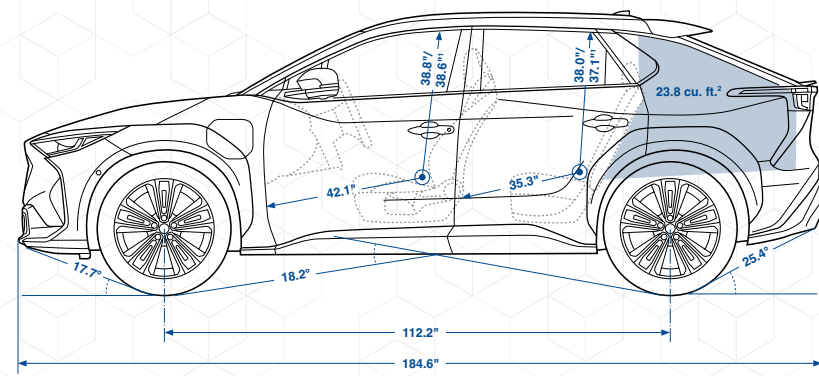
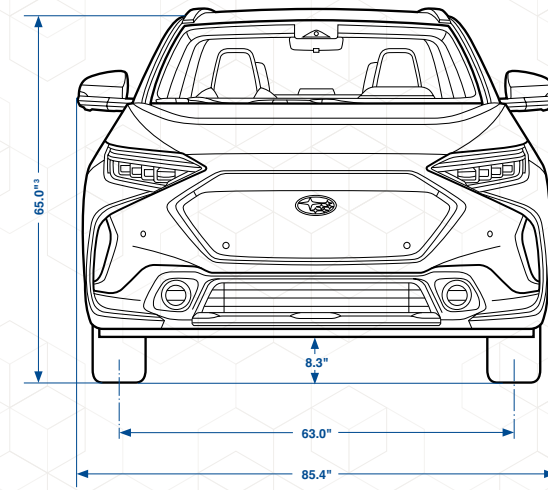
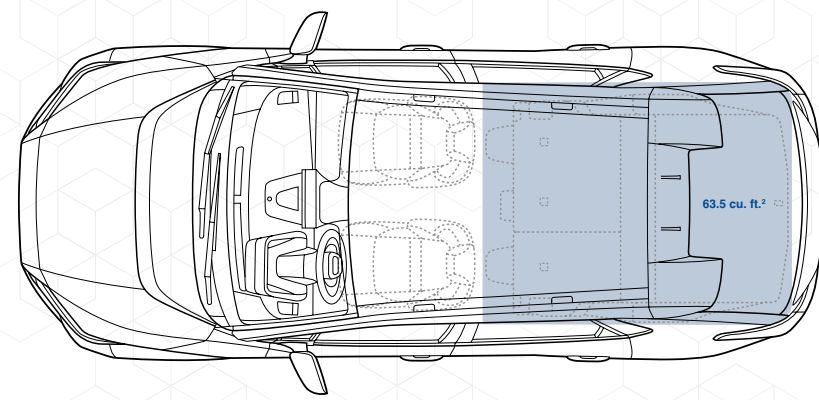


Warranties

New Car Limited Warranty	3 years or 36,000 miles, whichever comes first.
Powertrain Limited Warranty	5 years or 60,000 miles, whichever comes first.
Wear Item Limited Warranty	3 years or 36,000 miles, whichever comes first. Repairs to the following items will also be covered under Wear Item Limited Warranty: <ul style="list-style-type: none"> • Brake Pads / Shoe Linings • Wiper Blades
Battery and Electric Drive Unit Warranty	8 years or 100,000 miles, whichever comes first.
Rust Perforation Limited Warranty	5 years, unlimited mileage.
24-hour Roadside Assistance	3 years or 36,000 miles, whichever comes first.

1 Based on Experian Automotive non-luxury vehicles in operation vs. total new registrations for MY2014-2023 as of December 2023. 2 © 2023 Forbes. All rights reserved. Used under license. 3 Compared to all other measured mass-market automotive companies in the 2023 American Customer Satisfaction Index (ACSI[®]) surveys of customers rating their own automotive company's performance. The #1 rating is shared with one other automotive company. ACSI and its logo are registered trademarks of The American Customer Satisfaction Index, LLC. 4 2023 IntelliChoice 5-Year Cost of Ownership Study © 2024 MOTOR TREND GROUP, LLC. 5 S-Pedal is not a substitute for safe and attentive driving. The driver must press the brake pedal to come to a complete stop. See your Owner's Manual for complete details on system operation and limitations. 6 Drive Connect subscription required; Limited and Touring trims include a 1-year trial subscription. 4G network dependent. See your Subaru retailer for details. 7 Apple Music and Amazon Music subscription sold separately. Wi-Fi Connect subscription required; includes 30-day trial subscription for integrated streaming services. Wi-Fi Connect services are purchased separately through AT&T. 4G network dependent. See your Subaru retailer for details. 8 All SiriusXM services require a subscription, sold separately by SiriusXM after the trial period. Your SiriusXM service will automatically stop at the end of your trial unless you decide to subscribe. If you decide to continue service, the subscription plan chosen will automatically renew and be charged according to your chosen payment method at the then-current rates. Fees and taxes apply. See the SiriusXM Customer Agreement & Privacy Policy at www.siriusxm.com for full terms and how to cancel, which includes online methods or calling 1-866-635-2349. Available in the 48 contiguous United States, D.C., and Puerto Rico (with coverage limits and capable receiver). Visit <http://www.siriusxm.com/FAQS> for most current service area information. Availability of some services and features is subject to device capabilities and location restrictions. All fees, content and features are subject to change. SiriusXM, SiriusXM Traffic, SiriusXM Travel Link[®] and all related logos are trademarks of Sirius XM Radio Inc. and its respective subsidiaries. Other marks, channel names and logos are the property of their respective owners. All rights reserved. 9 Wi-Fi Connect subscription required; includes 30-day or up to 3 GB trial subscription for Wi-Fi hot spot. Wi-Fi Connect services are purchased separately through AT&T. 4G network dependent. See your Subaru retailer for details. 10 EyeSight Driver Assist Technologies may not operate optimally under all driving conditions. The driver is always responsible for safe and attentive driving. System effectiveness depends on many factors such as vehicle maintenance, weather and road conditions. Pre-Collision System is designed to provide automatic braking that either prevents a collision or reduces the severity of a frontal impact. Acceleration Suppression at Low Speed is designed to reduce acceleration and minimize the severity of certain frontal impacts. Dynamic Radar Cruise Control is designed to assist the driver and is not a substitute for safe and attentive driving. Lane Tracing, automatic lane changing, hands-free driving at lower speeds and automatic vehicle resume capabilities operate only when used in conjunction with Dynamic Radar Cruise Control. Lane Departure Alert and Lane Departure Prevention operate only when the lane markings are visible. System effectiveness depends on many factors. See your Owner's Manual for complete details on system operation and limitations. 11 Traffic Jam Assist is not an automated driving system. Driving safely is solely the responsibility of the driver. Do not overly rely on this system and pay careful attention to the surrounding conditions in order to ensure safe driving. See your Owner's Manual for complete details on system operation and limitations. Traffic Jam Assist requires an active trial or subscription to Drive Connect. 4G network dependent. 12 Blind-Spot Monitor, Front Cross-Traffic Alert and Rear Cross-Traffic Alert are systems designed to assist the driver by monitoring the front, rear and side areas of the vehicle to detect potential hazards that may not be visible from the driver's position and are not a substitute for safe and attentive driving. See your Owner's Manual for complete details on system operation and limitations. 13 Safe Exit Assist (SEA) is designed to assist vehicle occupants by detecting approaching vehicles to help reduce door opening accidents. If an approaching vehicle is detected, the system will display a warning light on the door mirror. If an occupant opens the door to exit, the system provides additional visual warning on the meter display and an audible alert. Safe Exit Assist will not prevent the door from opening and is not a substitute for safe, attentive exiting. See your Owner's Manual for complete details on system operation and limitations. 14 The Parking Support Brake (PKSB) is a system designed to assist the driver by detecting objects to

2024 Solterra | Dimensions



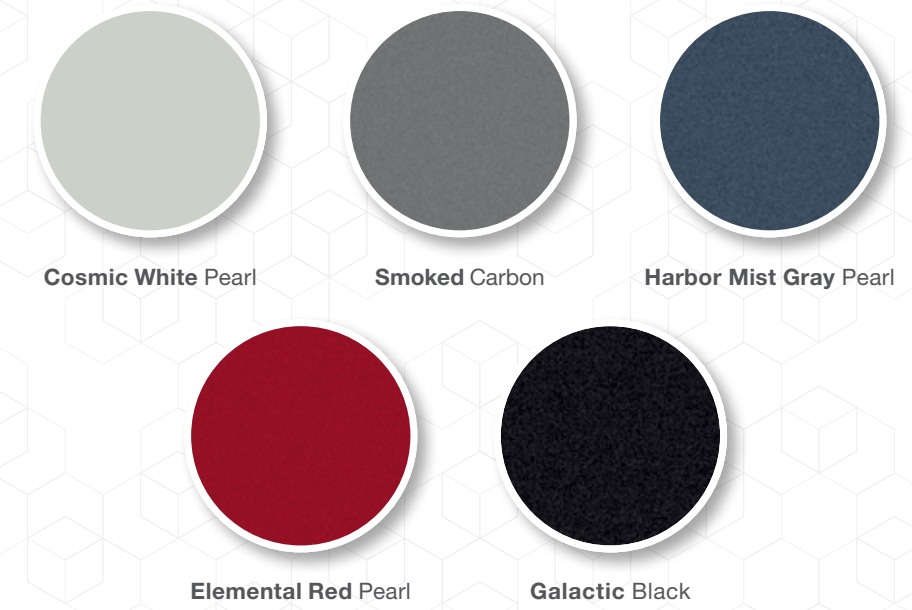
Length/Width/Height	184.6 inches/73.2 inches (85.4 including mirrors)/65.0 inches ³	Headroom (front/rear)	38.8 inches/38.0 inches (with glass roof: 38.6 inches/37.1 inches)
Wheelbase	112.2 inches	Legroom (front/rear)	42.1 inches/35.3 inches
Track (front/rear)	63.0 inches/63.4 inches	Shoulder room (front/rear)	57.8 inches/56.0 inches
Base curb weight	Solterra Premium: 4,354 lbs. Solterra Limited: 4,431 lbs. Solterra Touring: 4,486 lbs.	Hip room (front/rear)	54.4 inches/44.8 inches
		Passenger volume	95.7 cubic feet (with panoramic glass roof: 94.4 cubic feet)
		Cargo volume	23.8 cubic feet ²
		Maximum cargo volume	63.5 cubic feet (with rear seatback lowered) ²

1 With available panoramic glass roof. Glass roof availability varies by trim level. See your Subaru retailer for details. 2 Cargo capacity varies by cargo floor height. 3 Height measured to top of antenna.

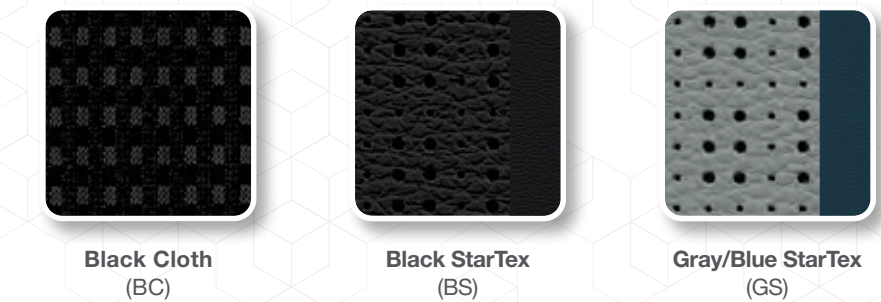
help avoid a possible collision when the vehicle is moving in a reverse direction. It is not a substitute for safe and attentive driving. System effectiveness depends on many factors, such as vehicle maintenance, weather, and road conditions. Always exercise caution and use vehicle mirrors and the rear camera when backing up. See your Owner's Manual for complete details on system operation and limitations. 15 Provided by Toyota[™]. Privacy Policy: www.toyota.com/privacyvts. Subscription required. Includes trial subscriptions to Safety Connect, Service Connect, Remote Connect and Wi-Fi Connect services. Limited and Touring trims include trial subscriptions to Drive Connect. Wi-Fi Connect services are purchased separately through AT&T. 4G network dependent. Visit the Solterra Connect webpage (<https://www.subaru.com/vehicle-info/solterra-connect.html>) for full details. 16 The Supplemental Restraint System (SRS) (airbags) affords the driver and the front and rear outboard passengers additional protection in moderate to severe frontal and side-impact collisions. This system provides supplemental protection only, and seatbelts must be worn in order to avoid injuries to out-of-position occupants upon airbag deployment and to provide the best combined protection in a serious accident. Children should always be properly restrained in the rear seat. See your Owner's Manual for recommended seating position. 17 Qi wireless charging may not be compatible with all mobile devices. When using the wireless charging system, avoid placing metal objects between the wireless charger and the mobile device when charging is active. Doing so may cause metal objects to become hot and could cause burns. 18 Digital Key not compatible with all vehicle features and functionality. See your Owner's Manual for full details. Remote Connect subscription required; includes 1-year trial subscription. 4G network dependent. Availability varies by trim level. See your Subaru retailer for details. 19 Advanced Park is a system designed to assist the driver in parking situations using cameras and sensors to help guide the vehicle into parking spots. This system is not a substitute for safe and attentive driving. System effectiveness depends on many factors, such as vehicle maintenance, weather and road conditions. Always exercise caution and keep an eye on vehicle surroundings, mirrors and camera systems when parking. See your Owner's Manual for complete details on system operation and limitations. 20 Availability varies by vehicle color. See your Subaru retailer for details. 21 2024 EPA MPG estimates. Actual mileage may vary. 22 Charge time from low charge warning light to full charge. 11 hours from fully discharged to full charge. See your Owner's Manual for complete details on system operation and limitations.

2024 Solterra | Colors

Paint



Upholstery



Color Combinations

	Solterra Premium	Solterra Limited	Solterra Touring
Cosmic White Pearl	BC	GS	BS or GS
Cosmic White Pearl Two-Tone	—	—	BS or GS
Smoked Carbon	BC	BS	—
Smoked Carbon Two-Tone	—	—	BS or GS
Harbor Mist Gray Pearl	—	GS	—
Harbor Mist Gray Pearl Two-Tone	—	—	BS or GS
Elemental Red Pearl	BC	BS	—
Elemental Red Pearl Two-Tone	—	—	BS
Galactic Black	BC	BS	BS or GS

— Not available



See the Solterra in action

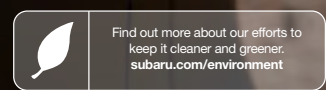


youtube.com/subaru

These brochures were printed with vegetable-based inks and produced using a "Green Printing Process." The Forest Stewardship Council® (FSC®) is an international organization that brings people together to find solutions which promote responsible stewardship of the world's forests and environments.

By producing these brochures in a green way rather than by traditional methods, we saved 13 trees preserved for the future; 2,000 gallons of wastewater flow saved; 50 lbs solid waste not generated; 7,000 lbs net greenhouse gases prevented; 5,000,000 BTUs energy not consumed. Calculations provided by Environmental Paper Network. FSC® is not responsible for any calculations on saving resources by choosing this paper.

This brochure is printed in the U.S.A. on 10% recycled paper. ©2024 Subaru of America, Inc. 24.SOLSRB.525 (DSGN-P724, 15K, 4/24, KSL)



Love. It's what makes Subaru, Subaru.®

