

2024 BRZ



The Subaru BRZ. Sports car purity, Subaru DNA.



Rediscover rubber and road.

Meet the 2024 BRZ.

Driving should feel like driving. It's a simple, undeniable idea that gets right at the heart of the BRZ, a hyper-focused, thrillingly pure sports car—with the balance, handling and power to prove it. And to add a touch of spice to the classic sports car ingredients of the BRZ, we're introducing the all-new BRZ tS®. With gold Brembo® brakes, blue interior accents and dark gray metallic 18-inch wheels, the tS takes on every drive with precision and flair.



Pure Sports Car

This BRZ is rooted in the classics—a front-engine, rear-wheel drive layout paired with a close-ratio six-speed manual transmission. You can also opt for a six-speed automatic with paddle shifters and rev matching for near-instant responsiveness.¹



Engineered To Be Driven

The BRZ features a 2.4-liter SUBARU BOXER® engine with 228 hp and 184 lb-ft of torque, delivered early and across a wide rev range. That power is in your control, thanks to a stiff chassis, ultra-low center of gravity and balanced weight distribution. Enter a corner, and the BRZ will reveal the control and precision of its track-tested, Subaru-engineered suspension paired with Michelin® Pilot® Sport 4 tires.¹ Plus, as a Subaru, you know the BRZ is built to last—96% of Subaru vehicles sold in the last 10 years are still on the road today.²



Driver-focused

At the center of its design is you. That's why everything inside the BRZ is oriented to put the driver in control, from the placement of the pedals, shifter and leather-wrapped steering wheel to the low-mounted performance-design front seats, locking you into position.



Connected

The BRZ creates a sense of connection all around you with intuitive designs, including a customizable digital instrument cluster and standard SUBARU STARLINK® Multimedia with Apple CarPlay® and Android Auto™ integration. You can also set the perfect temperature even before you step in, thanks to Remote Engine Start with Climate Control.^{1,3} For greater peace of mind, EyeSight® Driver Assist Technology⁴ is now standard, and advanced systems like Blind-Spot Detection and Rear Cross-Traffic Alert^{1,5} are available to help keep you aware of your surroundings.



¹ Availability varies by trim level. See your Subaru retailer for details. ² Based on Experian Automotive non-luxury vehicles in operation vs. total new registrations for MY2013-2022 as of December 2022. ³ Requires automatic transmission and subscription to STARLINK Safety and Security Plus services. 6-month free trial included. Not available in all states. See your Subaru retailer for details. ⁴ EyeSight is a driver assist technology, which may not operate optimally under all driving conditions. The driver is always responsible for safe and attentive driving. System effectiveness depends on many factors such as vehicle maintenance, weather and road conditions. See Owner's Manual for complete details on system operations and limitations. ⁵ Blind-Spot Detection, Lane Change Assist and Rear Cross-Traffic Alert are systems designed to assist the driver by monitoring the rear and side areas of the vehicle during a lane change or reversing and are not a substitute for safe and attentive driving.

The BRZ tS. No limitS.



BRZ tS in WR Blue Pearl.

© 2024 BRZ

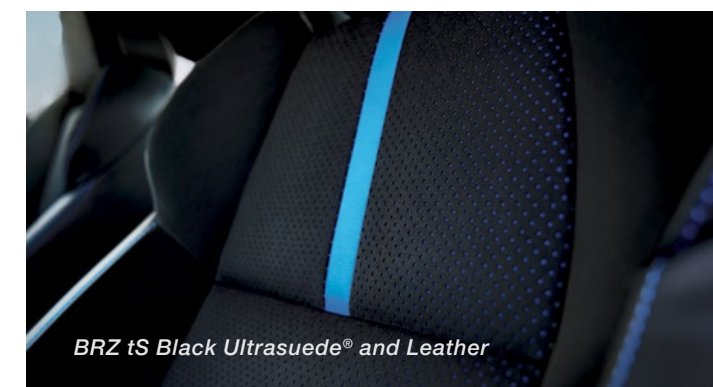
Introducing the 2024 BRZ tS.

The 2024 BRZ tS is a testament to feeling the road differently—connecting with the asphalt so that it begins to feel like tarmac and seeking joy on any ordinary street. We've enhanced the already deft BRZ with an exclusive STI®-tuned suspension with upgraded dampers for even sharper handling. As you drive, you'll feel the increased control and confidence of the gold Brembo® performance brakes encased by the dark gray metallic finish 18-inch wheels. The BRZ tS is meant to be seen as much as it is driven. Ultrasuede® and leather-trimmed seats with blue contrast accents, plus the STI-branded starter button and gauge cluster, heighten the already sleek interior. And on the outside, black mirror caps and exclusive badging make the tS a sight to behold.

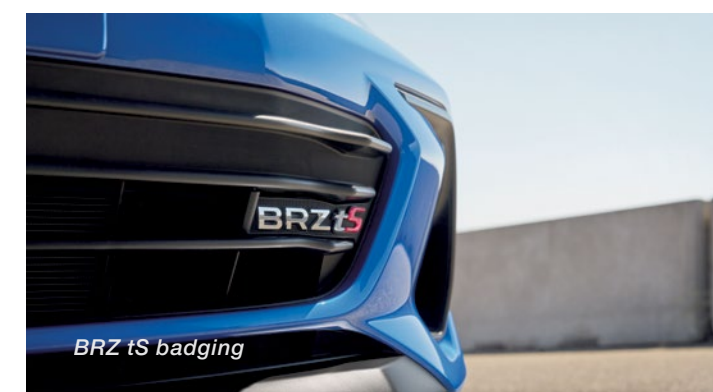
DEALER ePROCESS



Brembo® performance brakes



BRZ tS Black Ultrasuede® and Leather



BRZ tS badging



BRZ Limited with Black Ultrasuede® and Leather.

¹ Requires automatic transmission. Not available on BRZ Premium or BRZ tS. See your Subaru retailer for details. ² Availability varies by trim level. See your Subaru retailer for details. ³ Requires automatic transmission and subscription to STARLINK Safety and Security Plus services. 6-month free trial included. Not available in all states. See your Subaru retailer for details.

Cockpit, not interior.

In here, all that matters is that you're the driver. Low-mounted performance-design front seats keep you centered and in place, while the perfectly placed pedals, shifter and leather-wrapped steering wheel let you make your maneuvers decisively. The BRZ is also practical, with comforts like dual-zone automatic climate control and conveniences like a folding rear seatback. With a customizable digital instrument cluster featuring Normal, Sport¹ and Track display modes, you can dial in your drive with only the information you want to see. For easy access to music and apps, there's standard SUBARU STARLINK Multimedia with Apple CarPlay® and Android Auto™ integration. And thanks to Remote Engine Start with Climate Control,^{2,3} you can set the perfect temperature even before you get in.

DEALER ePROCESS



Engineering for the senses.



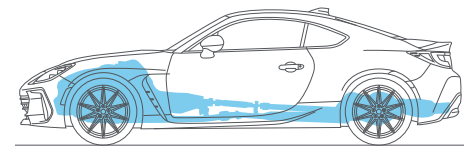
2,820-POUND
CURB WEIGHT¹

[17.95"]
CENTER OF
GRAVITY HEIGHT

ENGINE PLACEMENT

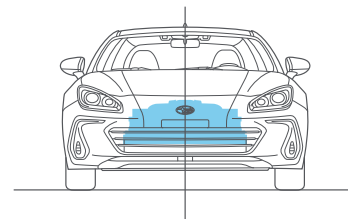
WEIGHT SPLIT: FRONT [53]

REAR [47]



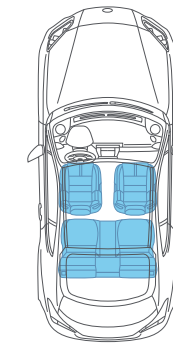
Light and Balanced

As the only rear-wheel drive Subaru, the BRZ is a marriage of ideals and engineering. Its classic front-engine layout has been carefully honed for a balanced weight distribution, and its chassis boasts impressive rigidity while still maintaining a low weight.



SUBARU BOXER Engine

The heart and soul of the BRZ is its 2.4-liter SUBARU BOXER engine with **228 hp** and **184 lb-ft of torque**. Designed to be light, low and stable, the BOXER engine has been optimized to deliver power and torque early and over a wide rev range.



Performance-design Seats

When you're deep in the corners, you'll be glad that the BRZ comes standard with supportive front seats with deep bolsters and available Ultrasuede[®] inserts,² which provide extra grip to help keep you in the pocket.

Low Coefficient of Drag

To a sports car, wind is like weight—the more of it you have to move, the more it takes from your ability to perform. Features like a channeled roof, aerodynamic underbody panels and a rear diffuser help the BRZ cut through the air and sharpen its performance.

Ultra-low Center of Gravity

Not only was the engine designed to be compact, allowing it to be mounted low in the chassis, but every element of the BRZ was placed as low as possible, from the roofline to the seating position. It all works together to give the 2024 BRZ an ultra-low center of gravity—just **17.95 inches**.

Responsiveness

The driver-focused BRZ features a quick-ratio **13.5:1** electric power-assisted rack-and-pinion steering system. Further control is offered in two forms: a close-ratio six-speed manual transmission or a six-speed automatic with paddle shifters and rev-matching downshift control.²



Peace of mind and performance coexist.

The BRZ offers a wide range of available safety innovations, including LED Steering Responsive Headlights¹ with High Beam Assist, STARLINK[®] Safety and Security,^{1,2} Blind-Spot Detection and Rear Cross-Traffic Alert.^{1,3} Now, every trim of the BRZ comes with standard Subaru EyeSight Driver Assist Technology, a suite of systems designed to watch the road ahead, alert you and even intervene to help avoid a collision.



BRZ Limited in Sapphire Blue Pearl.

How EyeSight Looks Ahead



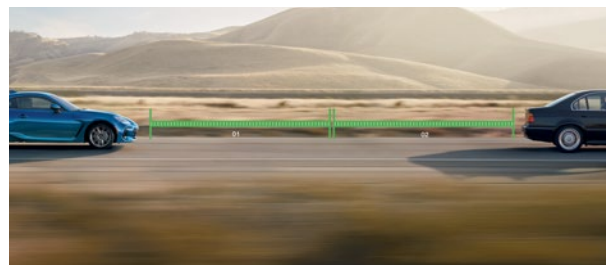
Pre-Collision Braking

Can help slow and bring your BRZ to a full stop if necessary.



Lane Departure and Sway Warning

Can alert you if you drift to the edge of your lane and begin to cross into another.



Adaptive Cruise Control

Traffic doesn't always flow smoothly. EyeSight can keep a set speed, look ahead and help your BRZ automatically adjust to keep your distance, even in stop-and-go traffic.⁵



Pre-Collision Throttle Management

Can reduce engine power to help give you more time to react and to help minimize the possible impact force and frontal impact damage.⁶

¹ Availability varies by trim level. See your Subaru retailer for details. ² Activation with subscription required. Includes a 3-year trial subscription to Safety Plus services and a 6-month trial subscription to Safety and Security Plus services. The Concierge plan can be purchased annually or monthly. A credit card on file will be required for specific packages and for renewal purposes. Not available in all states. See your Subaru retailer for details. ³ Blind-Spot Detection, Lane Change Assist and Rear Cross-Traffic Alert are systems designed to assist the driver by monitoring the rear and side areas of the vehicle during a lane change or reversing and are not a substitute for safe and attentive driving. ⁴ EyeSight is a driver assist technology, which may not operate optimally under all driving conditions. The driver is always responsible for safe and attentive driving. System effectiveness depends on many factors such as vehicle maintenance, weather and road conditions. See Owner's Manual for complete details on system operations and limitations. ⁵ System functionality varies based on vehicle transmission. See Owner's Manual for complete details on system operations and limitations. ⁶ Requires automatic transmission. Not available on BRZ Premium or BRZ tS. See your Subaru retailer for details.



16-Time Overall United States Rally Championship Titles.¹



96% of Subaru vehicles sold in the last 10 years are still on the road today.²



Subaru. Forbes' #1 automotive brand for social impact.³

6 | 2024 BRZ



The Subaru BRZ has the lowest 5-Year Cost to Own in its class for 2023, according to Kelley Blue Book's KBB.com.⁴



¹ Subaru Motorsports USA has won overall Rally America and American Rally Association (ARA) championship titles 16 times between 2006-2023. ² Based on Experian Automotive non-luxury vehicles in operation vs. total new registrations for MY2013-2022 as of December 2022. ³ © 2023 Forbes. All rights reserved. Used under license. ⁴ 2023 model-year vehicle's projected cost to own for the initial five-year ownership period is based on the average Kelley Blue Book 5-Year Cost to Own data, which considers depreciation and costs such as fuel and insurance. For more information, visit www.kbb.com. ⁵ Based on Experian Automotive non-luxury vehicles in operation (excluding trucks and vans) vs. total new registrations for MY2013-2022 as of December 2022.



Subaru has the longest-lasting vehicles in the automotive industry.⁵

2024 BRZ | Trim Levels



BRZ Premium

- 228-hp direct injection 2.4-liter 4-cylinder SUBARU BOXER engine
- Close-ratio 6-speed manual transmission
- Sport-tuned suspension
- 17-inch high-luster gray finish aluminum-alloy wheels with summer-performance tires
- Auto-on/off LED headlights and LED taillights
- LED Daytime Running Lights (DRL)
- Functional front bumper, fender and rear bumper vents
- Integrated front bumper under spoiler
- Side rocker spoilers
- Ducktail-design rear decklid
- Body-color exterior mirrors
- 3-spoke steering wheel with integrated audio system, Bluetooth®, meter display and EyeSight Adaptive Cruise Control^{1,2} buttons
- Cloth upholstery with red stitching
- Aluminum-alloy pedal covers
- Carpeted floor mats with embroidered BRZ logo and red stitching
- Keyless Access with Push-Button Start
- Auto-up/down power windows
- Tilt/telescoping steering column
- 7.0-inch customizable digital gauge cluster with Normal and Track display modes, digital speedometer, tachometer, coolant temperature and fuel level displays, G-force meter and lap time displays and other vehicle functions
- Dual-zone automatic digital climate control system with air filtration
- SUBARU STARLINK 8.0-inch Multimedia Plus system with Apple CarPlay® and Android Auto™ integration, high-resolution LCD touchscreen display, voice-activated controls, SiriusXM^{®3} including 4-month Platinum Plan and SiriusXM Travel Link^{®3} trial, AM/FM stereo with HD Radio[®], dual USB input ports, 6 speakers, and Bluetooth[®] audio streaming and hands-free phone and text messaging connectivity
- Anti-theft security system
- EyeSight Driver Assist Technology¹
- High Beam Assist
- Tire Pressure Monitoring System (TPMS) with individual tire pressure
- Rear-Vision Camera
- 7 airbags: Subaru advanced frontal airbag system with driver and passenger dual-stage deployment front airbags,⁴ side-curtain airbags protecting front and rear occupants,⁴ seat-mounted front side-impact airbags⁴ and driver's knee airbag⁴
- Whiplash-reducing front seats with height-adjustable head restraints
- Height-adjustable 3-point front seatbelts with pretensioners and load limiters
- Front/rear passenger seatbelt warning light/chime
- LATCH system: Lower Anchors and Tethers for CHildren

BRZ Limited

Includes BRZ Premium key features and adds:

- Close-ratio 6-speed manual transmission or 6-speed automatic transmission with manual-mode paddle shifters and rev-matching downshift control
- 18-inch matte dark gray finish aluminum-alloy wheels with Michelin® Pilot® Sport 4 summer-performance tires
- LED Steering Responsive Headlights
- Heated, body-color exterior mirrors
- Ultrasuede® and leather-trimmed upholstery
- Aluminum-alloy sill cover inserts
- Brin Naub® instrument cluster visor
- 8 speakers with 2-channel amplifier
- Dual-mode heated front seats
- STARLINK Safety and Security enabled⁵: Advanced Automatic Collision Notification, SOS Emergency Assistance, Emergency Assistance, Emergency Roadside Assistance, Maintenance Notifications, Monthly Vehicle Health Report, Diagnostic Alerts, Remote Engine Start with Climate Control,⁶ Remote Lock/Unlock, Concierge Services and more
- Blind-Spot Detection with Lane Change Assist and Rear Cross-Traffic Alert⁷
- Reverse Automatic Braking^{8,9}

BRZ tS

Includes BRZ Limited key features and adds:

- Brembo® performance braking system
- STI-tuned dampers
- 18-inch dark gray metallic finish aluminum-alloy wheels with Michelin® Pilot® Sport 4 summer-performance tires
- Heated, Crystal Black Silica exterior mirrors
- Crystal Black Silica shark-fin antenna
- BRZ tS front and rear badging
- BRZ Cherry red logo headlights
- Ultrasuede® and leather-trimmed upholstery with blue accents and stitching
- Leather-wrapped 3-spoke steering wheel with blue stitching
- STI-branded digital gauge cluster with Cherry red accents
- STI engine start button
- Black interior accents



Information current at time of printing.

Visit www.subaru.com for the most up-to-date product information.

2024 BRZ | Specifications

Engine and Drivetrain

		BRZ
Engine Power Torque	2.4-liter DOHC aluminum-alloy 16-valve 4-cylinder horizontally opposed SUBARU BOXER engine with Dual Active Valve Control System (DAVCS). 228 hp @ 7,000 rpm 184 lb-ft @ 3,700 rpm	●
Fuel System	Direct and port fuel injection	●
Manual Transmission	Fully synchronized close-ratio 6-speed manual with Incline Start Assist	●
Automatic Transmission	6-speed electronic automatic transmission with Sport and Snow modes, manual mode with paddle shifters, rev-matching downshift control, Adaptive Control and Incline Start Assist BRZ Premium and BRZ tS: Not Available. BRZ Limited: Optional.	○

Traction and Stability

Drivetrain	Rear-wheel drive	●
Rear Differential	TORSEN® limited slip	●
Vehicle Stability Control (VSC)	Includes performance-oriented Track Mode	●
Traction Control System (TCS)		●

Fuel

Fuel Economy	city/highway/combined ¹⁰	Manual: 20/27/22 mpg Automatic: 21/30/25 mpg
Fuel Requirement	Premium unleaded gasoline (93 octane)	●
Fuel Capacity	13.2 gallons	●

Chassis

Steering	Electric power-assisted quick ratio rack-and-pinion steering (EPAS). Ratio: 13.5:1. Turns lock-to-lock: 2.5. Turning circle: 35.4 feet.	●
Suspension	BRZ Premium and BRZ Limited: Sport-tuned 4-wheel independent. Front: Strut-type with lower L-arm, V-shaped strut tower bar and stabilizer bar. Rear: Double-wishbone with shock absorber and stabilizer bar. BRZ tS: STI sport-tuned with upgraded dampers	●
Brakes	BRZ Premium and BRZ Limited: 4-wheel disc, ventilated front and rear. Dual-piston front and single-piston rear calipers. 4-channel, 4-sensor ABS with Electronic Brake-force Distribution (EBD). BRZ tS: Brembo® Performance Braking System—4-wheel disc, ventilated front and rear. 4-piston front and dual-piston rear calipers. 4-channel, 4-sensor ABS with Electronic Brake-force Distribution (EBD).	●
Brake Discs (front/rear)	BRZ Premium and BRZ Limited: 11.6 inches/11.4 inches BRZ tS: 12.8 inches/12.4 inches	●

● Standard ○ Optional

2024 BRZ | Equipment

Exterior	BRZ Premium	BRZ Limited	BRZ tS
LED projector low- and high-beam headlights	●	●	●
Steering Responsive Headlights (SRH)	—	●	●
Integrated front bumper under spoiler	●	●	●
Side rocker spoilers	●	●	●
Functional vents: front bumper, fenders and rear bumper	●	●	●
Rear bumper with integrated diffuser	●	●	●
Ducktail-design rear decklid	●	●	●
Dual stainless-steel exhaust outlets	●	●	●
Body-color power exterior mirrors	●	●	—
Crystal Black Silica power exterior mirrors	—	—	●
Heated exterior mirrors	—	●	●
Seating and Trim			
6-way manually adjustable driver seat. 4-way manually adjustable front-passenger seat.	●	●	●
Performance-design front seats with height-adjustable head restraints	●	●	●
Heated front seats	—	●	●
Flat-folding rear seatback	●	●	●
Leather-wrapped 3-spoke steering wheel with stitching	●	●	●
Leather-wrapped shift handle	●	●	●
Cloth upholstery with red stitching	●	—	—
Ultrasuede® and leather-trimmed upholstery with red stitching	—	●	—
Ultrasuede® and leather-trimmed upholstery with blue stitching	—	—	●

2024 BRZ | Equipment

Convenience Features	BRZ Premium	BRZ Limited	BRZ tS
Keyless Access with Push-Button Start	●	●	●
Center console with dual-cup holders, dual USB input ports, 3.5mm auxiliary jack and closeable lid	●	●	●
Single bottle holder in each door panel	●	●	●
12-volt power outlet in glovebox	●	●	●
Climate Control			
Dual-zone automatic digital climate control system with air filtration	●	●	●
Instrumentation			
7.0-inch customizable digital gauge cluster with Normal, Sport [®] and Track display modes, digital speedometer, tachometer, coolant temperature and fuel level displays, G-force meter and lap time displays, and other vehicle functions	●	●	●
Audio and Communication Systems			
SUBARU STARLINK 8.0-inch Multimedia Plus system with Apple CarPlay [®] and Android Auto [™] integration, high-resolution LCD touchscreen display, voice-activated controls, SiriusXM [®] including 4-month Platinum Plan and SiriusXM Travel Link [®] trial, AM/FM stereo with HD Radio [®] , dual USB input ports, and Bluetooth [®] audio streaming and hands-free phone and text messaging connectivity	●	●	●
6 speakers	●	—	—
8 speakers with 2-channel amplifier	—	●	●
Safety			
ACTIVE			
Blind-Spot Detection with Lane Change Assist and Rear Cross-Traffic Alert ⁷	—	●	●
Reverse Automatic Braking (RAB) ^{8,9}	—	●	—
High Beam Assist (HBA)	●	●	●

● Standard — Not equipped





STI Under Spoiler – Front. STI Front Under Spoiler gives the BRZ a mean, ground-hugging look.



STI Under Spoiler – Side. Continue the mean, ground-hugging look down the rocker panels of the BRZ. Kit includes both left and right side under spoilers.



STI Under Spoiler – Rear Quarter. Complete the look on the side of the BRZ with the addition of the rear quarter under spoilers. Kit includes both left and right rear quarter under spoilers.



Rear Bumper Appliqué. Clear, scratch-resistant vinyl film helps to protect bumper upper surface and leading edge. Includes a discreet pearl-colored Subaru logo.



Fender Vent Accent. Intensify the aggressive design of the BRZ with the addition of the Fender Vent Accent. The accent is finished in gloss black and adds a level of attitude to the modern styling of the vehicle. Comes in a set of two.



Sunshade – Windshield. The foldable sunshade offers a triple layer of protection to help reduce vehicle temperature up to 40 degrees. Custom-cut to fit properly, it includes a handy storage bag.



Vortex Generator. Add a stylish look of performance to your BRZ with the Vortex Generator.



Rear Bumper Diffuser. Lower rear body panel helps to direct airflow and adds a sculpted finishing touch to the BRZ lower rear body line.



Footwell Illumination Kit. Casts a soft blue glow onto the front floor area.



Auto-Dimming Mirror with Compass and HomeLink®. This upgraded Auto-Dimming Mirror with an 8-point digital compass detects glare and darkens automatically to protect your vision. HomeLink® can be programmed to operate most garage doors, security gates and more. The system can provide you the last status of your garage door (open or closed) when programmed to a compatible opener.



LED Upgrade. The LED Upgrade offers brighter, whiter and crisper interior lighting than the standard equipment lighting.



STI Starter Switch. Upgrade the stock push start button with the STI Starter Switch. The Cherry red button with the STI logo in the center gives the interior of your BRZ a sporty appearance.

Protecting Your Investment

Once you're part of our family, we'll be there for you. Every Subaru comes with 24-hour roadside assistance for 3 years or 36,000 miles. And to protect you over the long haul, we offer Added Security®, which helps protect your car for up to 10 years or 100,000 miles with extended service agreements and maintenance plans backed by Subaru. And because we've been backing them for more than 30 years, they're agreements you can trust. Your retailer has full coverage details.



More Than a Car Company®.



For us, love is about the commitments we make. The Subaru Love Promise® is our vision to show love and respect to all people and the planet we all share. Subaru is headquartered in a zero-landfill office in Camden, N.J., and in 2004, Subaru of Indiana Automotive, Inc. (SIA) became the first manufacturing facility in the U.S. to reach zero-landfill status—nothing from its manufacturing efforts ever goes into a landfill.

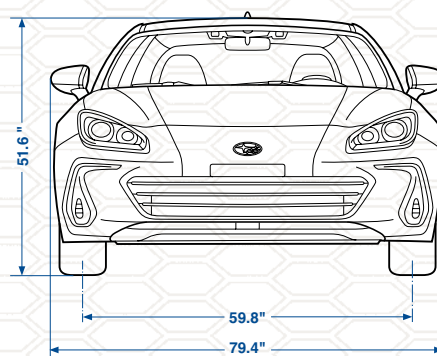
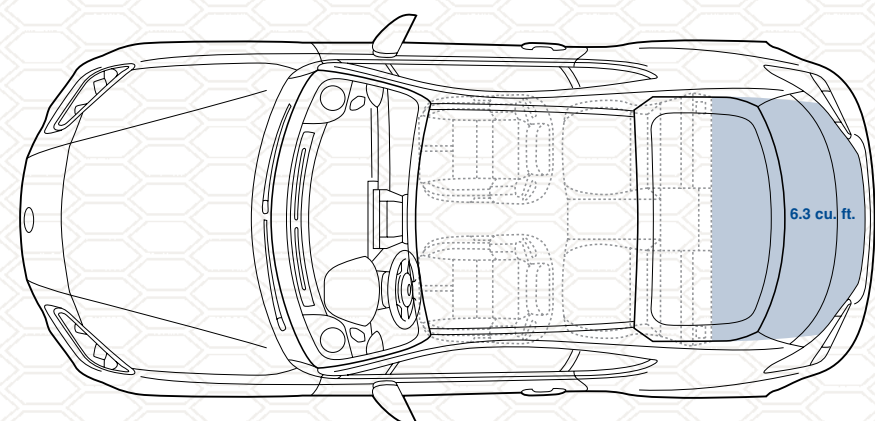
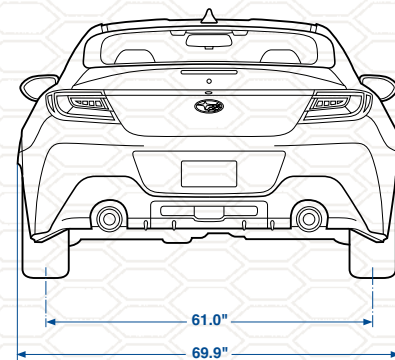
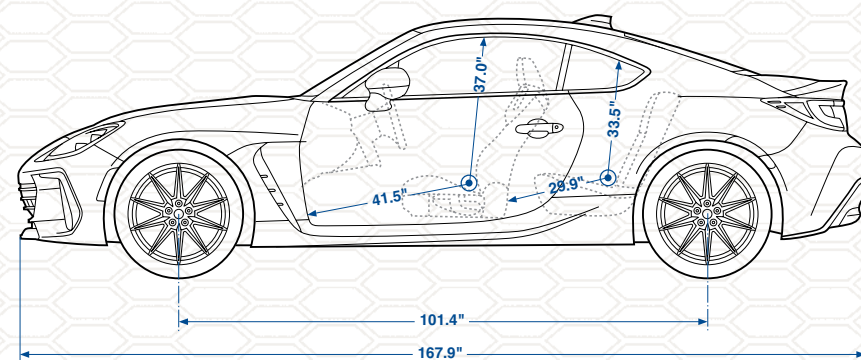


Warranties¹¹

New Car Limited Warranty	3 years or 36,000 miles, whichever comes first.
Powertrain Limited Warranty	5 years or 60,000 miles, whichever comes first.
Wear Item Limited Warranty	3 years or 36,000 miles, whichever comes first. Repairs to the following items will also be covered under Wear Item Limited Warranty: <ul style="list-style-type: none"> • Brake Pads • Wiper Blades • Clutch Linings • Transmitter Batteries
Rust Perforation Limited Warranty	5 years, unlimited mileage.
24-hour Roadside Assistance	3 years or 36,000 miles, whichever comes first.

¹ EyeSight is a driver assist technology, which may not operate optimally under all driving conditions. The driver is always responsible for safe and attentive driving. System effectiveness depends on many factors such as vehicle maintenance, weather and road conditions. Pre-Collision Braking System is designed to provide automatic braking that either prevents a collision or reduces the severity of a frontal impact. Pre-Collision Throttle Management is designed to reduce acceleration and minimize the severity of certain frontal impacts. Adaptive Cruise Control and Brake Light Recognition are designed to assist the driver and are not substitutes for safe and attentive driving. Lane Departure and Sway Warning operate only when the lane markings are visible and system effectiveness depends on many factors. See Owner's Manual for complete details on system operation and limitations. ² System functionality varies based on vehicle transmission. See Owner's Manual for complete details on system operations and limitations. ³ All SiriusXM® services require a subscription, sold separately by SiriusXM after the trial period. Your SiriusXM® service will automatically stop at the end of your trial unless you decide to subscribe. If you decide to continue service, the subscription plan chosen will automatically renew and be charged according to your chosen payment method at the then-current rates. Fees and taxes apply. See the SiriusXM Customer Agreement & Privacy Policy at www.siriusxm.com for full terms and how to cancel, which includes online methods or calling 1-866-635-2349. Available in the 48 contiguous United States, D.C., and Puerto Rico (with coverage limits and capable receiver). Visit <http://www.siriusxm.com/FAQS> for most current service area information. Availability of some services and features is subject to device capabilities and location restrictions. All fees, content and features are subject to change. SiriusXM and all related logos are trademarks of Sirius XM Radio Inc. and its respective subsidiaries. ⁴ The Supplemental Restraint System (SRS) (airbags) affords the driver and the front passenger additional protection in moderate to severe frontal and side-impact collisions and outboard 2nd-row passengers additional protection in moderate to severe side-impact collisions. This system provides supplemental protection only, and seatbelts must be worn in order to avoid injuries to out-of-position occupants upon airbag deployment and to provide the best combined protection in a serious accident. Children should always be properly restrained in one of the rear seats. See Owner's Manual for recommended seating position. ⁵ Activation with subscription required. Includes a 3-year trial subscription to STARLINK Safety Plus services and a 6-month trial subscription to STARLINK Safety and Security Plus services. The Concierge plan can be purchased annually or monthly. A credit card on file will be required for specific packages and for renewal purposes. Not available in all states. See your Subaru retailer for details. ⁶ Requires automatic transmission and subscription to STARLINK Safety and Security Plus services. 6-month free trial included. Not available in all states. See your Subaru retailer for details. ⁷ Blind-Spot Detection, Lane Change Assist and Rear Cross-Traffic Alert are systems designed to assist the driver by monitoring the rear and side areas of the vehicle during a lane change or reversing and are not a substitute for safe and attentive driving. ⁸ The Reverse Automatic Braking System is not a substitute for safe and attentive driving. System effectiveness depends on many factors, such as vehicle maintenance, weather and road conditions. Always exercise caution and use vehicle mirrors and the Rear-Vision Camera when backing up. See Owner's Manual for complete details on system operation and limitations. ⁹ Requires automatic transmission. Not available on BRZ Premium or BRZ tS. See your Subaru retailer for details. ¹⁰ 2024 EPA fuel economy estimates. Actual mileage may vary. ¹¹ All Subaru vehicles sold by Subaru of America, Inc. are designed and built for normal driving conditions. The Subaru Limited Warranty, as well as the Subaru Added Security program, excludes damage or failure resulting from modifications or participation in competition or racing events. See the Subaru Warranty & Maintenance Booklet for further details.

2024 BRZ | Dimensions

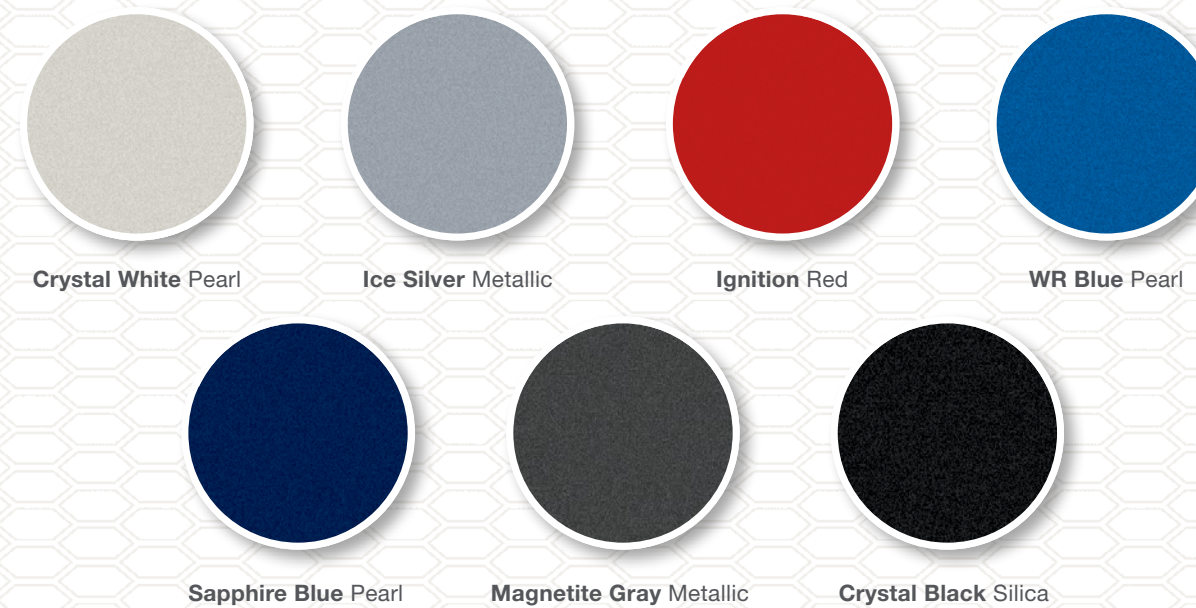


Length/Width/Height	167.9 inches/69.9 inches (79.4 inches including mirrors)/51.6 inches
Wheelbase	101.4 inches
Track (front/rear)	59.8 inches/61.0 inches
Base curb weight (manual/automatic)	BRZ Premium: 2,820 lbs. BRZ Limited: 2,837 lbs./2,881 lbs. BRZ tS: 2,846 lbs.
Center of Gravity (CG)	17.95 inches

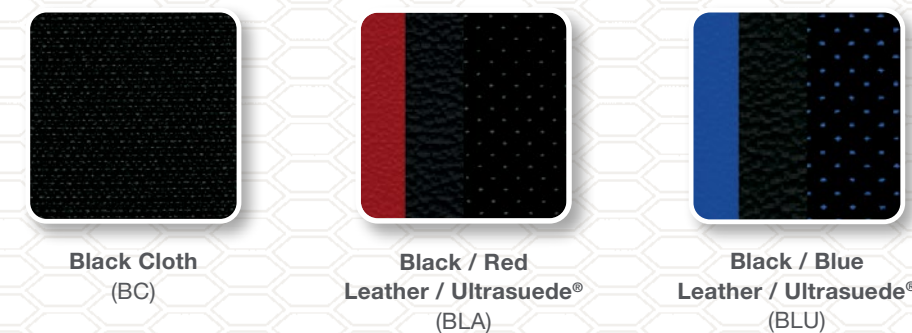
Headroom (front/rear)	37.0 inches/33.5 inches
Legroom (front/rear)	41.5 inches/29.9 inches
Shoulder room (front/rear)	53.6 inches/51.7 inches
Passenger volume	77.2 cubic feet
Trunk volume	6.3 cubic feet

2024 BRZ | Colors

Paint



Upholstery



Preproduction vehicles shown, production vehicles may vary. Some images shown are for illustration purposes only. Specifications in this brochure are based on the latest product information available at the time of publication. For the most up-to-date and detailed product information, log on to www.subaru.com. Some equipment shown in photography in this brochure is optional at extra cost. Specific options may be available only in combination with other options. Specific combinations of equipment or features may vary from time to time and by geographic area. Certain accessories and equipment may not be available at the time of publication. Subaru of America, Inc., reserves the right to change or discontinue at any time, without notice, prices, colors, materials, equipment, accessories, specifications, models and packages without incurring any obligation to make the same or similar changes on vehicles previously sold. Colors shown may vary due to reproduction and printing processes.

This brochure was prepared by Subaru of America, Inc. A warranty from Subaru of America, Inc., is available only on cars sold to the first retail purchaser through an authorized Subaru retailer in the continental U.S. or Alaska. Every owner of the car during the warranty period shall be entitled to the benefit of these warranties. BRZ, BRZ tS, EyeSight, Subaru, SUBARU STARLINK, STARLINK, STI and SUBARU BOXER are registered trademarks of Subaru Corporation. Added Security, Love. It's what makes Subaru, Subaru., Love Promise, More Than a Car Company, Subaru Loves Learning, Subaru Loves Pets, Subaru Loves the Earth, Subaru Loves to Care and Subaru Loves to Help are registered trademarks of Subaru of America, Inc. Android Auto™ is a trademark of Google LLC. Apple CarPlay® is a registered trademark of Apple Inc. Bluetooth® is a registered trademark of Bluetooth SIG, Inc. Brembo® is a registered trademark of Freni Brembo, S.p.A. BRIN NAUB® is a registered trademark of TB Kawashima Co., Ltd. HD Radio® is a registered trademark of iBiquity Digital Corporation. HomeLink® is a registered trademark of Gentex Corporation. Michelin® and Pilot® are registered trademarks of Michelin North America Inc. SiriusXM®, Traffic® and Travel Link® are registered trademarks of SiriusXM Radio Inc. TORSEN® is a registered trademark of JTEKT Torsen North America, Inc. Ultrasuede® is a registered trademark of Toray Industries, Inc. For more information, contact your Subaru retailer, or log on to www.subaru.com.

Color Combinations

	BRZ Premium	BRZ Limited	BRZ tS
Crystal White Pearl	BC	BLA	BLU
Ice Silver Metallic	BC	BLA	BLU
Ignition Red	BC	BLA	BLU
WR Blue Pearl	BC	BLA	BLU
Sapphire Blue Pearl	BC	BLA	BLU
Magnetite Gray Metallic	BC	BLA	BLU
Crystal Black Silica	BC	BLA	BLU



See the 2024 BRZ in action

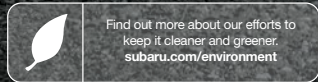


youtube.com/subaru

These brochures were printed with vegetable-based inks and produced using a "Green Printing Process." The Forest Stewardship Council® (FSC®) is an international organization that brings people together to find solutions which promote responsible stewardship of the world's forests and environments.

By producing these brochures in a green way rather than by traditional methods, we saved 45 trees preserved for the future; 10,000 gallons of wastewater flow saved; 200 lbs solid waste not generated; 26,000 lbs net greenhouse gases prevented; 20,000,000 BTUs energy not consumed. Calculations provided by Environmental Paper Network. FSC® is not responsible for any calculations on saving resources by choosing this paper.

This brochure is printed in the U.S.A. on 10% recycled paper. ©2023 Subaru of America, Inc. 24.BRZSRB.525 (DSGN-P729, 16K, 11/23, KSL)



Love. It's what makes Subaru, Subaru.®

